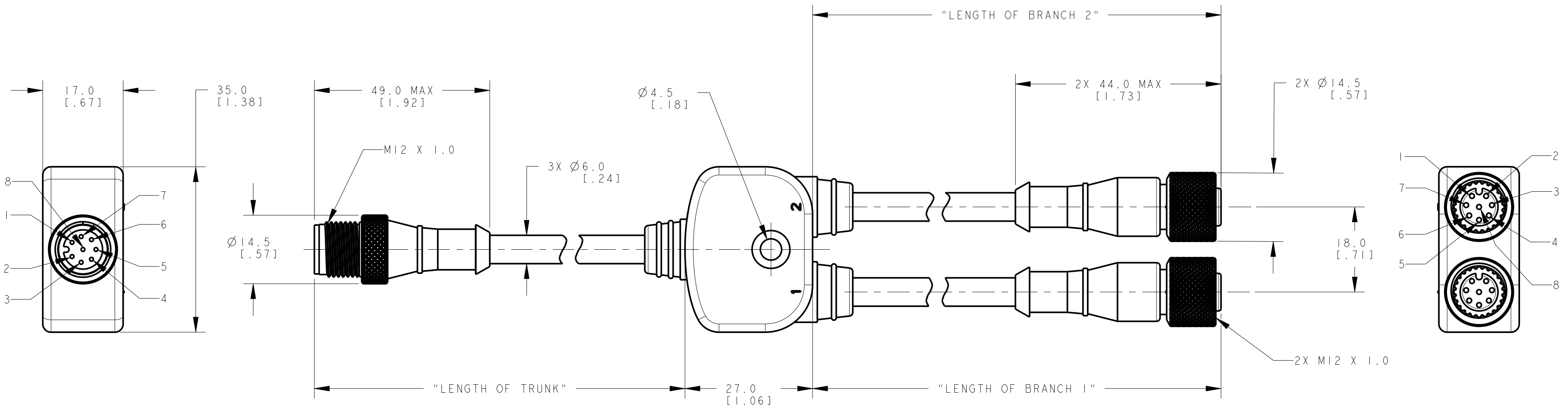


| P/N | MODEL NUMBER | LENGTH OF TRUNK (m[ft]) | LENGTH OF BRANCH 1 (m[ft]) | LENGTH OF BRANCH 2 (m[ft]) |
|--------|--------------------|-------------------------|----------------------------|----------------------------|
| 73252 | CSB-MI28MI28I | 0.3[1.0] | 0.3[1.0] | 0.3[1.0] |
| 73253 | CSB-MI288MI28I | 2.5[8.0] | 0.3[1.0] | 0.3[1.0] |
| 73254 | CSB-MI2815MI28I | 4.6[15.0] | 0.3[1.0] | 0.3[1.0] |
| 73255 | CSB-MI2825MI28I | 7.6[25.0] | 0.3[1.0] | 0.3[1.0] |
| 74155 | CSB-SEAGATE1-74155 | 0.23[0.75] | 0.49[1.6] | 1.10[3.6] |
| 76579 | CSB-SEAGATE2-76579 | 0.9[3.0] | 1.8[6.0] | 0.3[1.0] |
| 805662 | CBS-MI28MI28.5 | 0.3[1.0] | 0.15[0.5] | 0.15[0.5] |

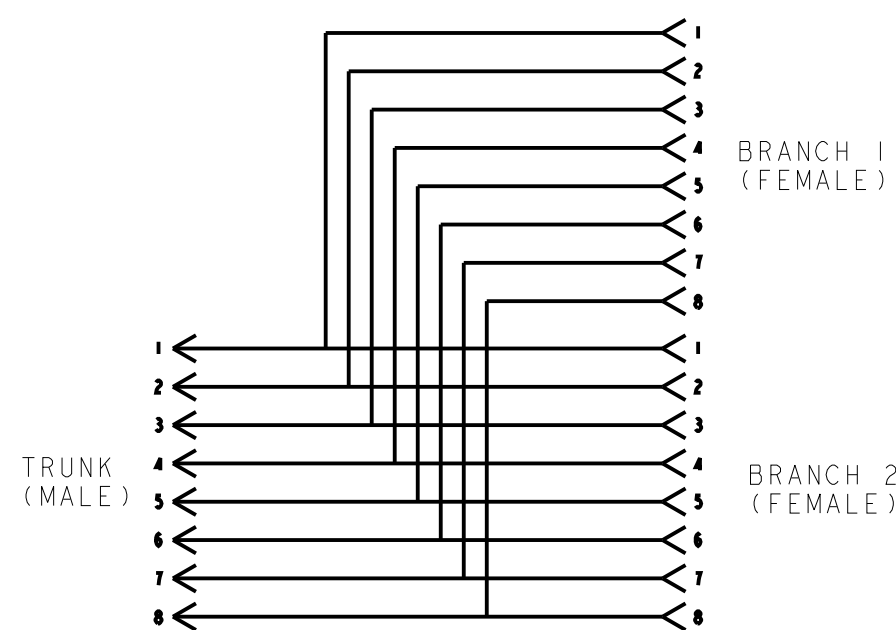


MALE (TRUNK) CONNECTOR

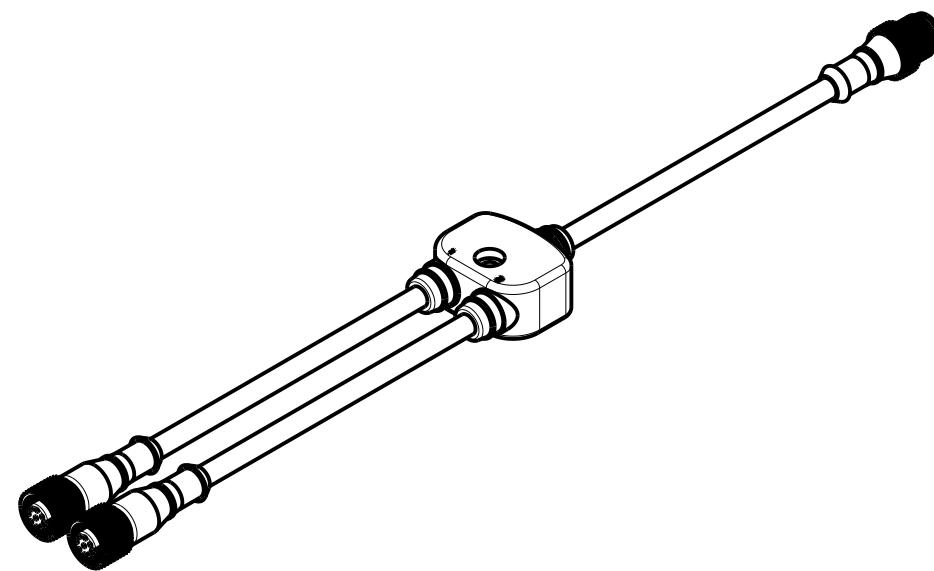
- 1 = BROWN
- 2 = ORANGE / BLACK
- 3 = ORANGE
- 4 = WHITE
- 5 = BLACK
- 6 = BLUE
- 7 = GREEN / YELLOW
- 8 = VIOLET

FEMALE (BRANCH) CONNECTOR

- 1 = BROWN
- 2 = ORANGE / BLACK
- 3 = ORANGE
- 4 = WHITE
- 5 = BLACK
- 6 = BLUE
- 7 = GREEN / YELLOW
- 8 = VIOLET



WIRING DIAGRAM



ISOMETRIC VIEW
SCALE 1:2

NOTES:
 1. ALL DIMENSIONS ARE MILLIMETERS [INCHES] UNLESS OTHERWISE NOTED.
 2. REFER TO "www.bannerengineering.com" FOR ADDITIONAL DATA AND SPECIFICATIONS.

This drawing is the property of BANNER ENGINEERING CORP. Any use or reproduction, in any form, without prior written permission of Banner is prohibited.
 © 2015 Banner Engineering Corp.

BANNER BANNER ENGINEERING CORP.
 www.bannerengineering.com

TITLE
CSB-MI28XMI28X

SIZE C DRAWING NO. **215959** REV. **A**

SCALE 3:2 SHEET 1 OF 1