

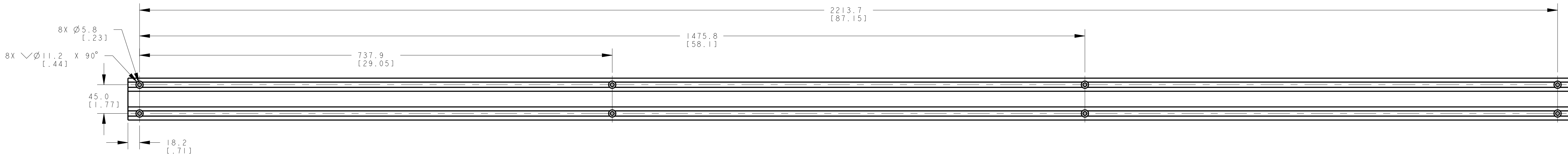
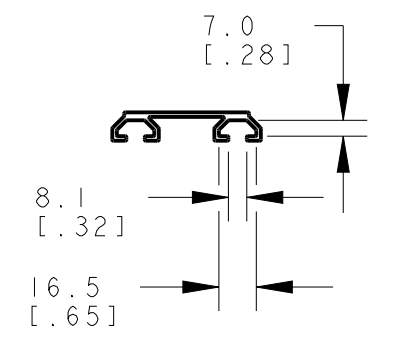
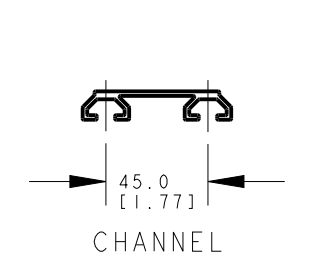
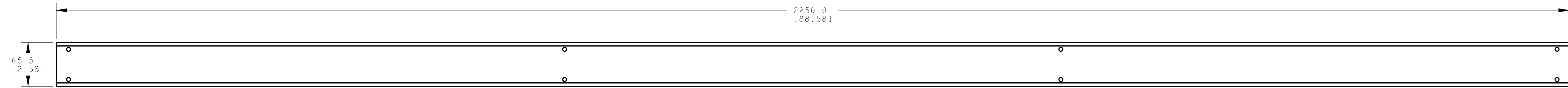
8 7 6 5 4 3 2 1

D

C

B

A



NOTES:
1. ALL DIMENSIONS ARE MILLIMETERS [INCHES] UNLESS OTHERWISE NOTED.
2. REFER TO "www.bannerengineering.com" FOR ADDITIONAL DATA AND SPECIFICATIONS.

8 7 6 5 4 3 2 1

This drawing is the property of BANNER ENGINEERING CORP. Any use or reproduction, in any form, without prior written permission of Banner is prohibited. © 2015 Banner Engineering Corp.

BANNER BANNER ENGINEERING CORP.
www.bannerengineering.com

TITLE
LMBWL B72R2400

THIRD ANGLE PROJECTION

SIZE D	DRAWING NO. 215568	REV. A
SCALE 3:10	SHEET 1 OF 1	

CREO