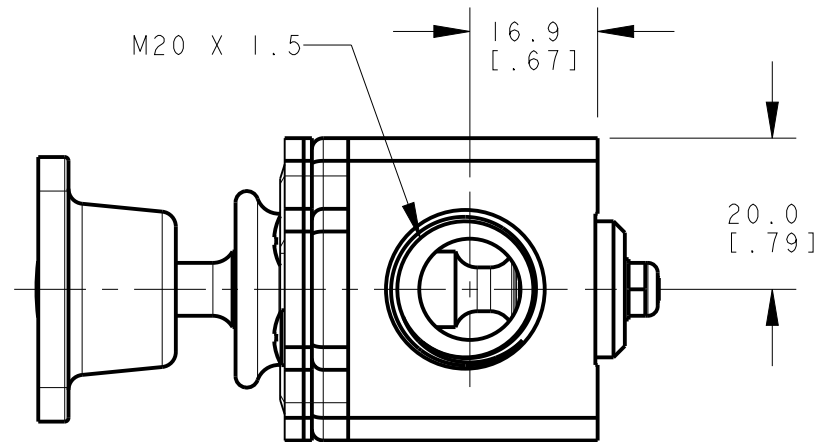


ISOMETRIC VIEW



NOTES:  
 1. ALL DIMENSIONS ARE MILLIMETERS [INCHES] UNLESS OTHERWISE NOTED.  
 2. REFER TO "www.bannerengineering.com" FOR ADDITIONAL DATA AND SPECIFICATIONS.

This drawing is the property of BANNER ENGINEERING CORP. Any use or reproduction, in any form, without prior written permission of Banner is prohibited. © 2015 Banner Engineering Corp.



TITLE		BANNER ENGINEERING CORP. www.bannerengineering.com	
SIZE		DRAWING NO. <b>215341</b>	
SCALE 1:1		REV. <b>A</b>	
SHEET 1 OF 1		CREO	

THIRD ANGLE PROJECTION

