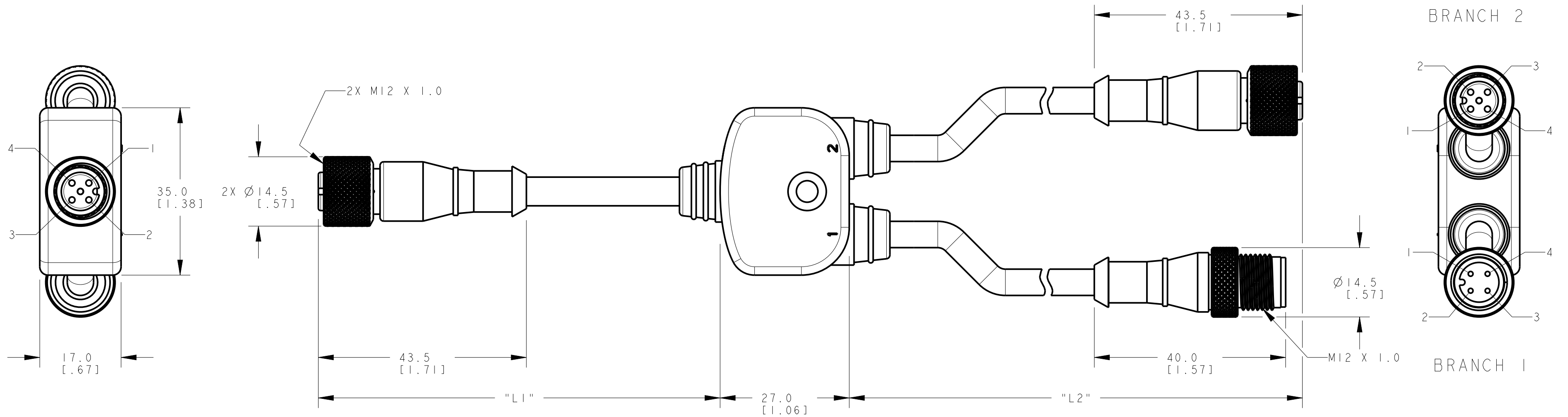
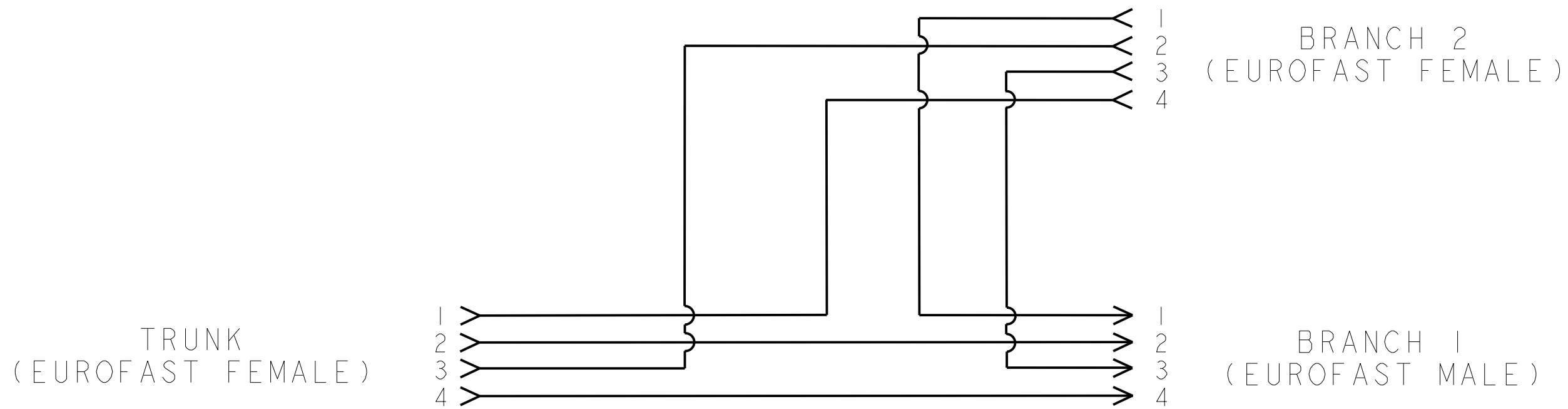


TABLE OF LENGTHS			
P/N	MODEL NO.	"L1" (m [ft])	"L2" (m [ft])
20578	CSS-MI2F41MI2M41MI2F41	0.30 [0.98]	0.30 [0.98]
25470	CSS-MI2F43MI2M41MI2F41	0.91 [2.99]	0.30 [0.98]
25471	CSS-MI2F48MI2M41MI2F41	2.50 [8.20]	0.30 [0.98]



WIRING DIAGRAM



NOTES:  
 1. ALL DIMENSIONS ARE MILLIMETERS [INCHES] UNLESS OTHERWISE NOTED.  
 2. REFER TO "www.bannerengineering.com" FOR ADDITIONAL DATA AND SPECIFICATIONS.

This drawing is the property of BANNER ENGINEERING CORP. Any use or reproduction, in any form, without prior written permission of Banner is prohibited. © 2015 Banner Engineering Corp.



BANNER ENGINEERING CORP.  
 www.bannerengineering.com

TITLE		
CSS-MI2F4xMI2M41MI2F41		
SIZE C	DRAWING NO. 215133	REV. A
SCALE 3:2	SHEET 1 OF 1	

