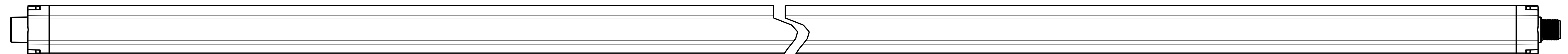
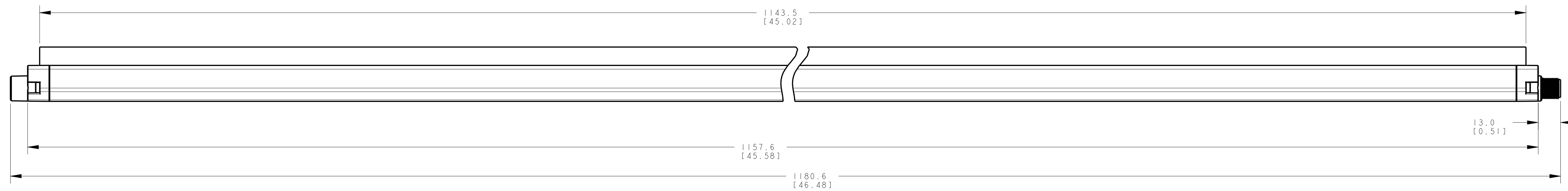
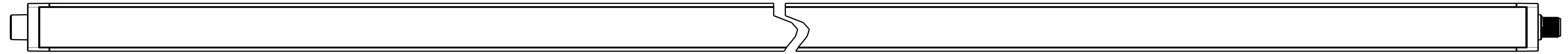


DIMETRIC VIEW
SCALE 3:4



NOTES:
1. ALL DIMENSIONS ARE MILLIMETERS [INCHES] UNLESS OTHERWISE NOTED.
2. REFER TO "www.bannerengineering.com" FOR ADDITIONAL DATA AND SPECIFICATIONS.

<small>This drawing is the property of BANNER ENGINEERING CORP. Any use or reproduction, in any form, without prior written permission of Banner is prohibited. © 2015 Banner Engineering Corp.</small>		BANNER BANNER ENGINEERING CORP. www.bannerengineering.com	
TITLE WLS28C1130L25S0			
SIZE D	DRAWING NO. 210146	REV. C	
SCALE 3:4		SHEET 1 OF 1	
THIRD ANGLE PROJECTION 		CREO	