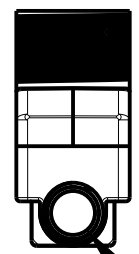
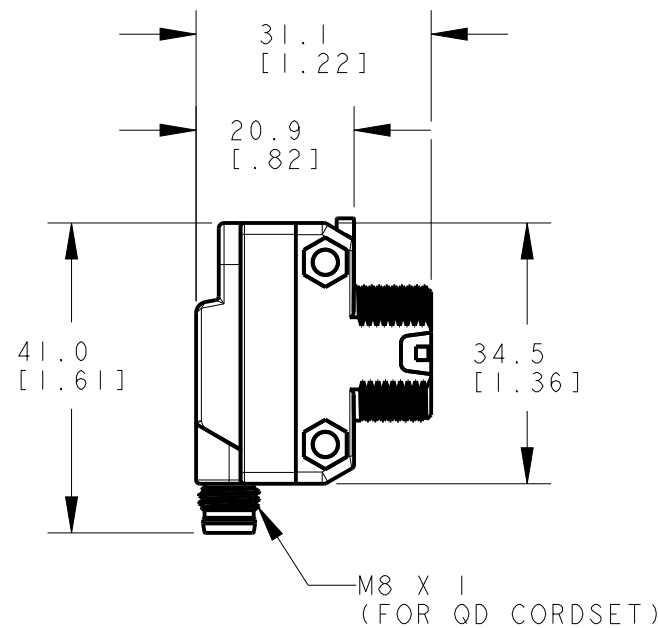
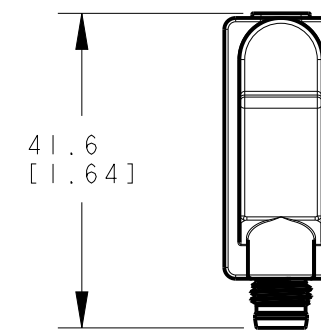
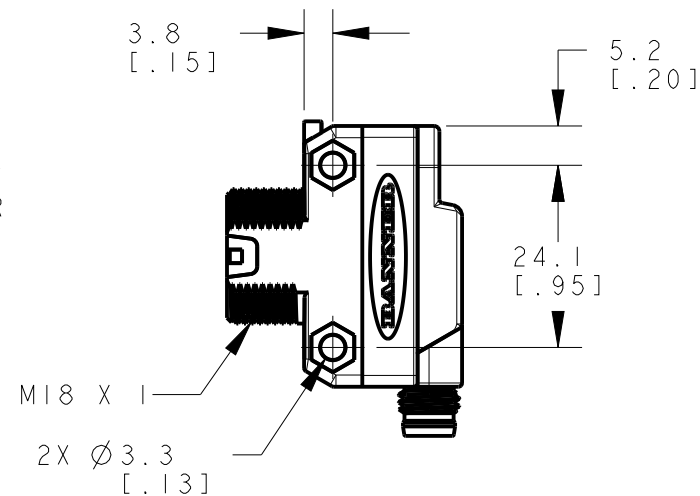
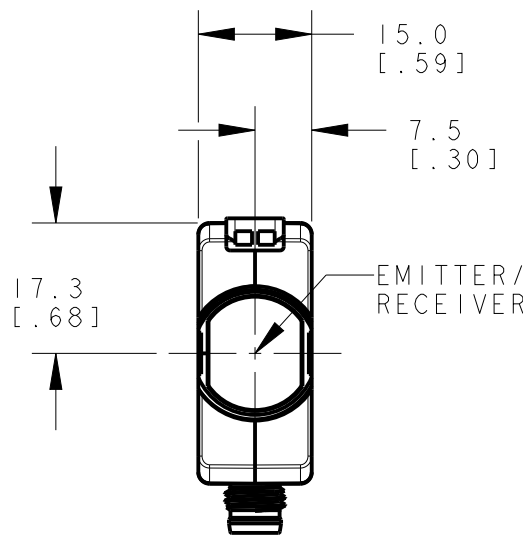
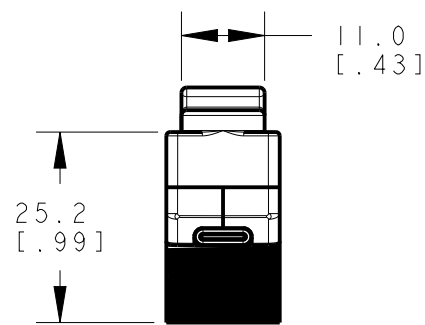


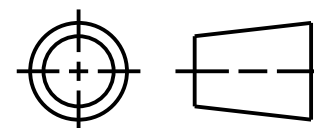
ISOMETRIC VIEW
SCALE 1:1



NOTE: QD INSERT PINS NOT SHOWN

This drawing is the property of BANNER ENGINEERING CORP. Any use or reproduction, in any form, without prior written permission of Banner is prohibited. © 2015 Banner Engineering Corp.

THIRD ANGLE PROJECTION



		BANNER ENGINEERING CORP.	
		www.bannerengineering.com	
TITLE			
OS18 EXPERT E/R NICKEL PICO OD			
SIZE	DRAWING NO.	REV.	
B	200055	B	
SCALE	SHEET		OF
1:1	1		1

NOTES:
1. ALL DIMENSIONS ARE MILLIMETERS [INCHES] UNLESS OTHERWISE NOTED.
2. REFER TO "www.bannerengineering.com" FOR ADDITIONAL DATA AND SPECIFICATIONS.