

8

7

6

5

4

3

2

1

D

D

C

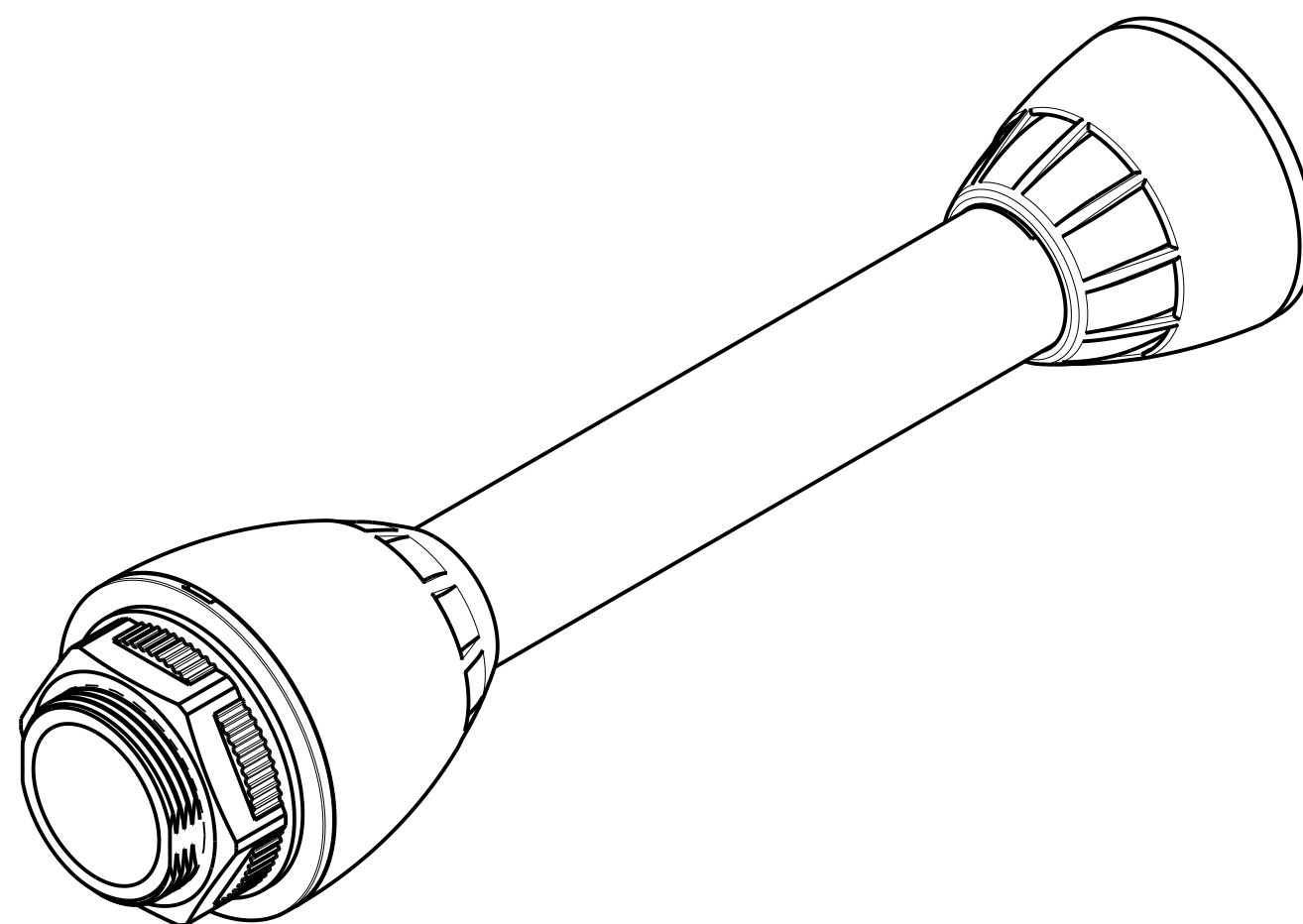
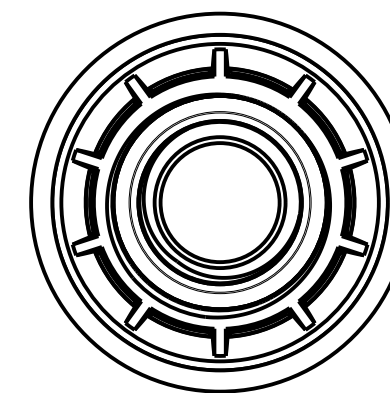
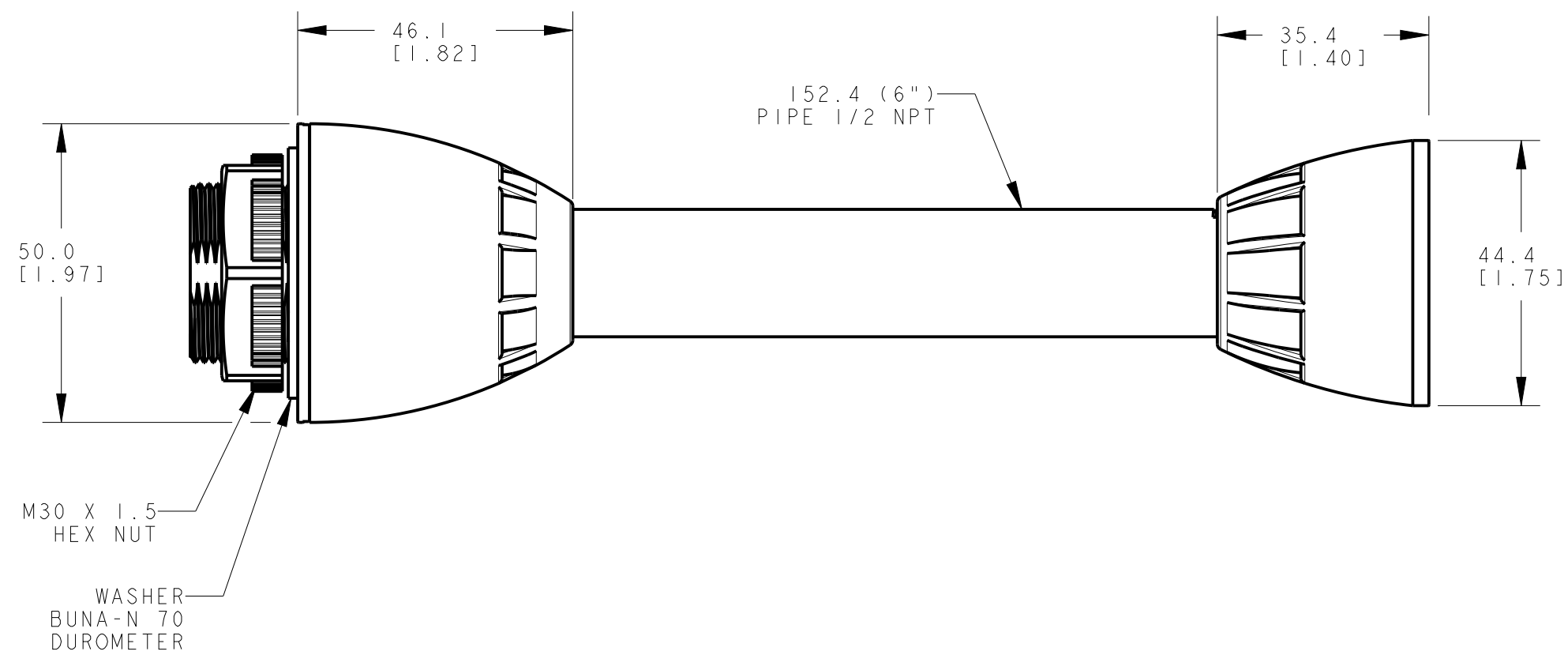
C

B

B

A

A



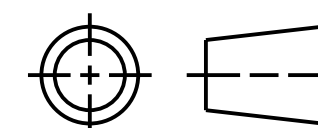
NOTES:  
 1. ALL DIMENSIONS ARE MILLIMETERS [INCHES] UNLESS OTHERWISE NOTED.  
 2. REFER TO "www.bannerengineering.com" FOR ADDITIONAL DATA AND SPECIFICATIONS.

This drawing is the property  
 of BANNER ENGINEERING CORP.  
 Any use or reproduction,  
 in any form, without prior  
 written permission of  
 Banner is prohibited.  
 © 2015 Banner Engineering Corp.

**BANNER** BANNER ENGINEERING CORP.  
 www.bannerengineering.com

TITLE  
**SOK-TL50-150SS/150A**

THIRD ANGLE PROJECTION



SIZE C DRAWING NO. **199773** REV. **A**

SCALE 1:1 SHEET 1 OF 1

8

7

6

5

4

3

2

1

CREO