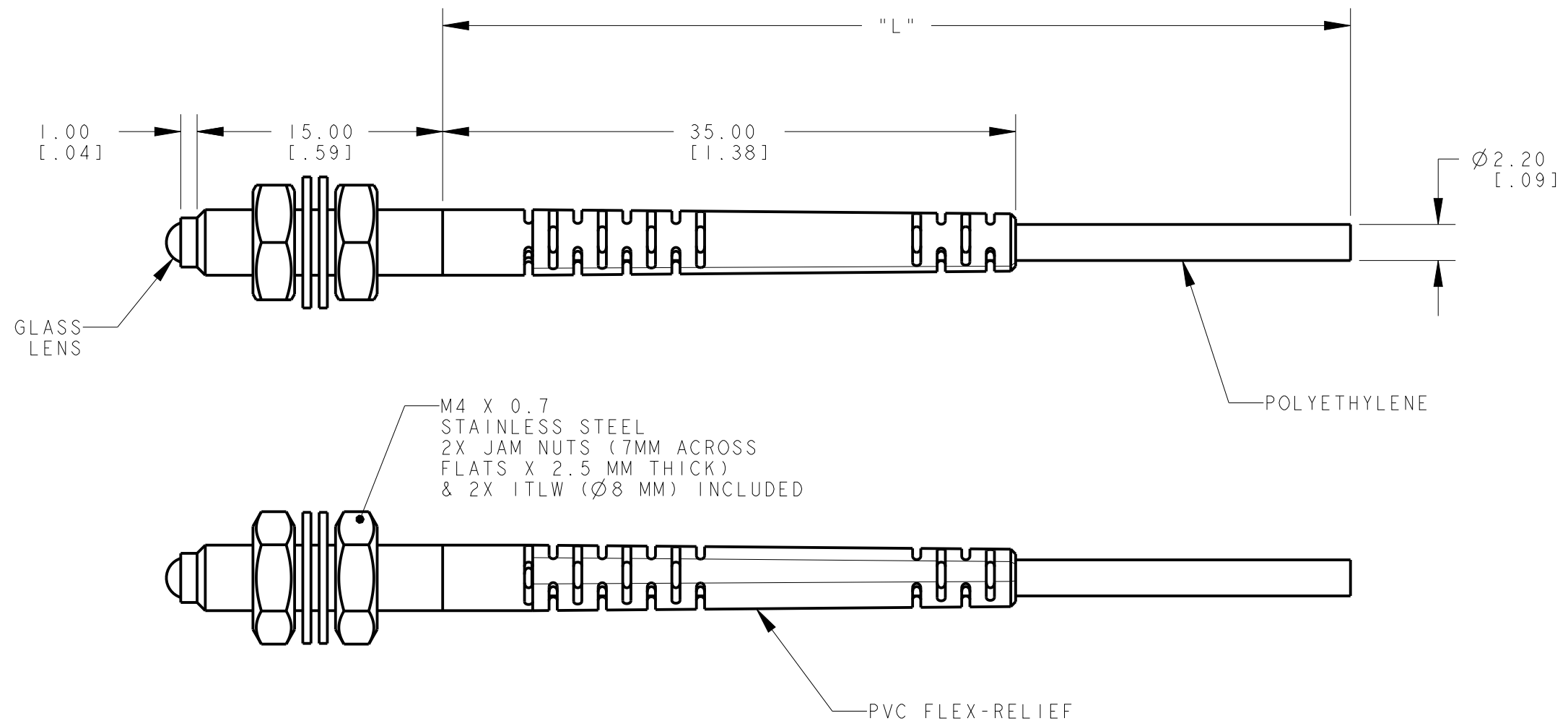


MODEL NO.	"L"	P/N
PITL26UM4-VL	2000	802117
PITL23UM4-VL	1000	801985

NOTES:

1. MAXIMUM OPERATING TEMPERATURE -55° C - 70° C.
2. MINIMUM BEND RADIUS R15.
3. DIMENSIONAL TOLERANCE 5%.
4. 30 mm SPOT SIZE AT 100 mm RANGE.



- NOTES:
1. ALL DIMENSIONS ARE MILLIMETERS [INCHES] UNLESS OTHERWISE NOTED.
  2. REFER TO "www.bannerengineering.com" FOR ADDITIONAL DATA AND SPECIFICATIONS.

This drawing is the property of BANNER ENGINEERING CORP. Any use or reproduction, in any form, without prior written permission of Banner is prohibited. © 2015 Banner Engineering Corp.

**BANNER** BANNER ENGINEERING CORP.  
www.bannerengineering.com

TITLE  
**PITL2 M4 VANTAGE LINE SERIES UNTERMINATED**

SIZE B DRAWING NO. **199224** REV. **B**

SCALE 3:1 SHEET 1 OF 1 CREO

