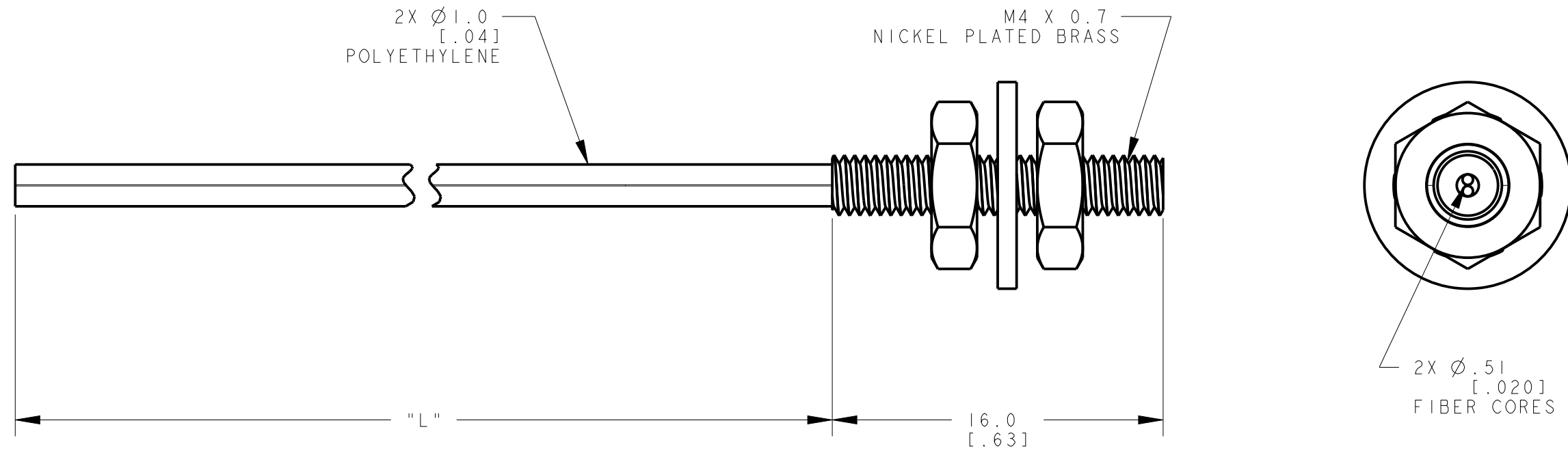


8	7	6	5	4	3	2	1
MODEL NO.	"L"	P/N					
PBT26UM.63	2000 [79]	42878					



This drawing is the property of BANNER ENGINEERING CORP. Any use or reproduction, in any form, without prior written permission of Banner is prohibited. © 2015 Banner Engineering Corp.

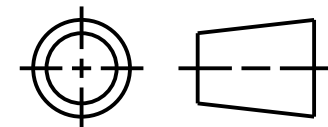
BANNER BANNER ENGINEERING CORP.
www.bannerengineering.com

TITLE
PBT2 THREAD LENGTH .63 UNTERMINATED

SIZE B DRAWING NO. **194022** REV. **A**

SCALE 4:1 SHEET 1 OF 1

THIRD ANGLE PROJECTION



NOTES:
1. ALL DIMENSIONS ARE MILLIMETERS [INCHES] UNLESS OTHERWISE NOTED.
2. REFER TO "www.bannerengineering.com" FOR ADDITIONAL DATA AND SPECIFICATIONS.