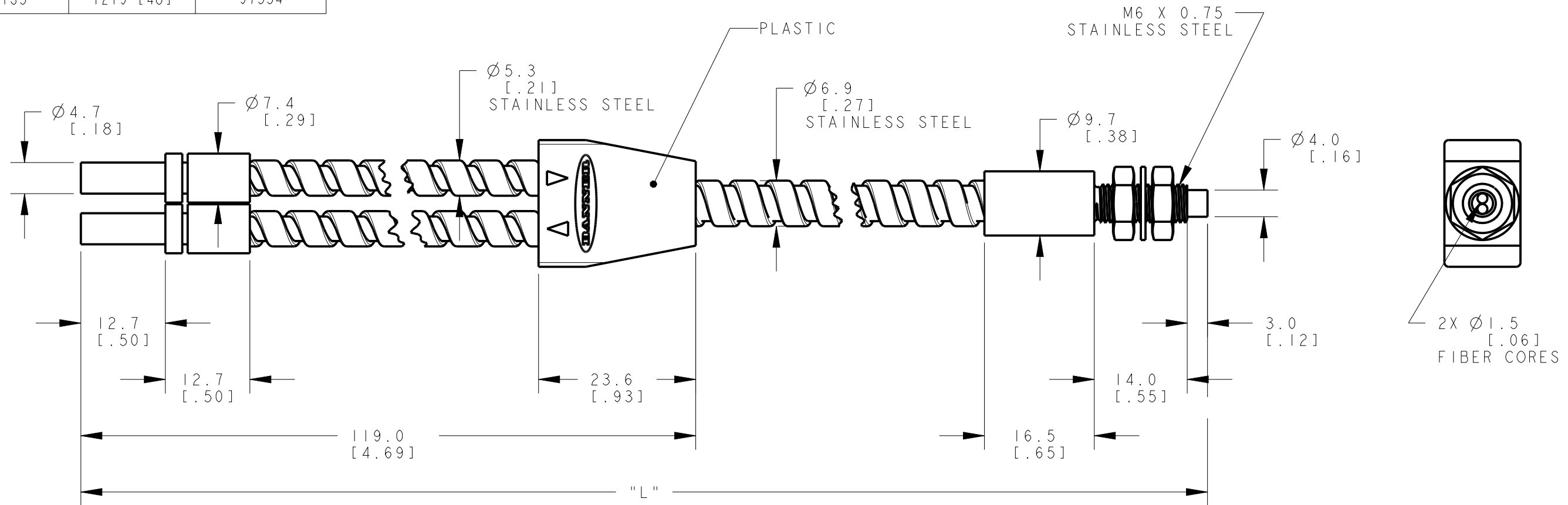


MODEL NO.	"L"	P/N
PBT61.5TS3	457 [18]	42853
PBT67TS3	2134 [84]	61177
PBT62.5TS3	750 [29.5]	80760
PBT62TS3	610 [24]	97333
PBT63TS3	914 [36]	97332
PBT64TS3	1219 [48]	97334



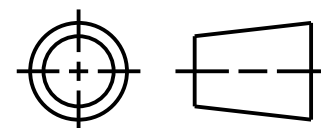
NOTES:
 1. ALL DIMENSIONS ARE MILLIMETERS [INCHES] UNLESS OTHERWISE NOTED.
 2. REFER TO "www.bannerengineering.com" FOR ADDITIONAL DATA AND SPECIFICATIONS.

This drawing is the property of BANNER ENGINEERING CORP. Any use or reproduction, in any form, without prior written permission of Banner is prohibited. © 2015 Banner Engineering Corp.

BANNER BANNER ENGINEERING CORP.
 www.bannerengineering.com

TITLE
PBT6 TS3 TERMINATION

THIRD ANGLE PROJECTION



SIZE B DRAWING NO. **194016** REV. **A**

SCALE 3:2 SHEET 1 OF 1

CREO