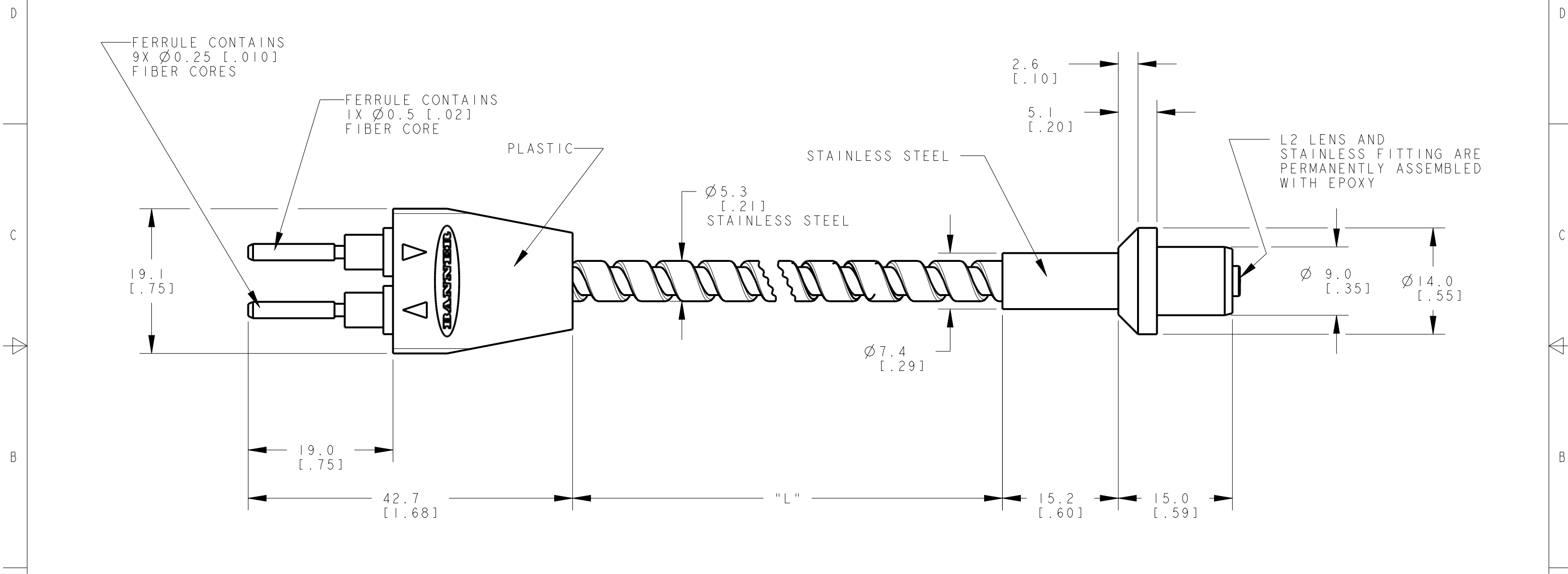
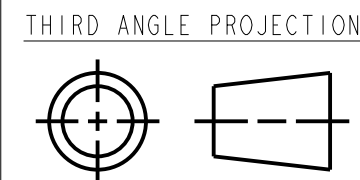


8	7	6	5	4	3	2	1
MODEL NO.	"L"	P/N					
PBCT21TSML2D12	305 [12]	17070					
PBCT22TSML2D12	610 [24]	18371					



NOTES:
 1. ALL DIMENSIONS ARE MILLIMETERS [INCHES] UNLESS OTHERWISE NOTED.
 2. REFER TO "www.bannerengineering.com" FOR ADDITIONAL DATA AND SPECIFICATIONS.

This drawing is the property of BANNER ENGINEERING CORP. Any use or reproduction, in any form, without prior written permission of Banner is prohibited. © 2015 Banner Engineering Corp.



		BANNER ENGINEERING CORP. www.bannerengineering.com	
TITLE PBCT2 SS W/ L2 LENS & D12 TERMINATION			
SIZE B	DRAWING NO. 194000	REV. A	
SCALE 2:1		SHEET 1 OF 1	

CREO