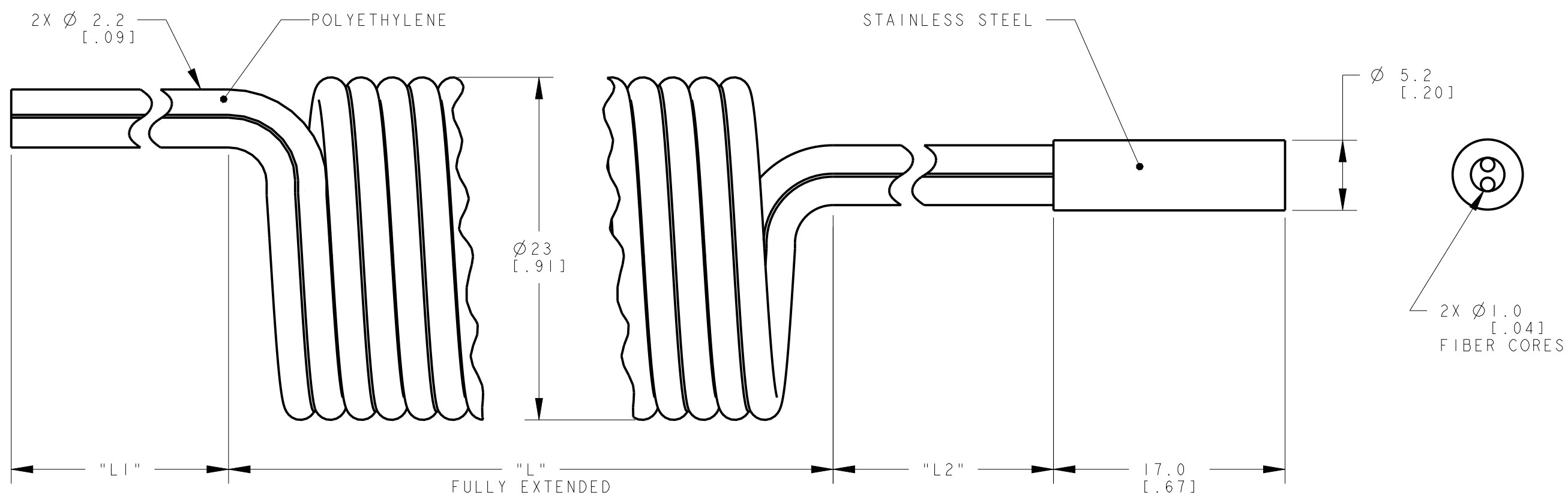
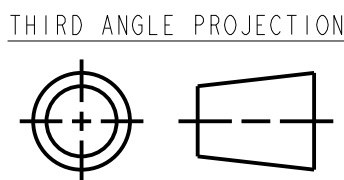


8	7	6	5	4	3	2	1
MODEL NO.	"L"	"L1"	"L2"	P/N			
PBF46UC	2000 [79]	200 [7.9]	279 [11]	68658			



NOTES:  
 1. ALL DIMENSIONS ARE MILLIMETERS [INCHES] UNLESS OTHERWISE NOTED.  
 2. REFER TO "www.bannerengineering.com" FOR ADDITIONAL DATA AND SPECIFICATIONS.

This drawing is the property of BANNER ENGINEERING CORP. Any use or reproduction, in any form, without prior written permission of Banner is prohibited. © 2015 Banner Engineering Corp.



		<b>BANNER ENGINEERING CORP.</b> <a href="http://www.bannerengineering.com">www.bannerengineering.com</a>	
<b>TITLE</b> <b>PBF4 COILED CABLE UNTERMINATED</b>			
<b>SIZE</b> B	<b>DRAWING NO.</b> <b>193969</b>	<b>REV.</b> <b>A</b>	
<b>SCALE</b> 3:1		<b>SHEET</b> 1 OF 1	

CREO