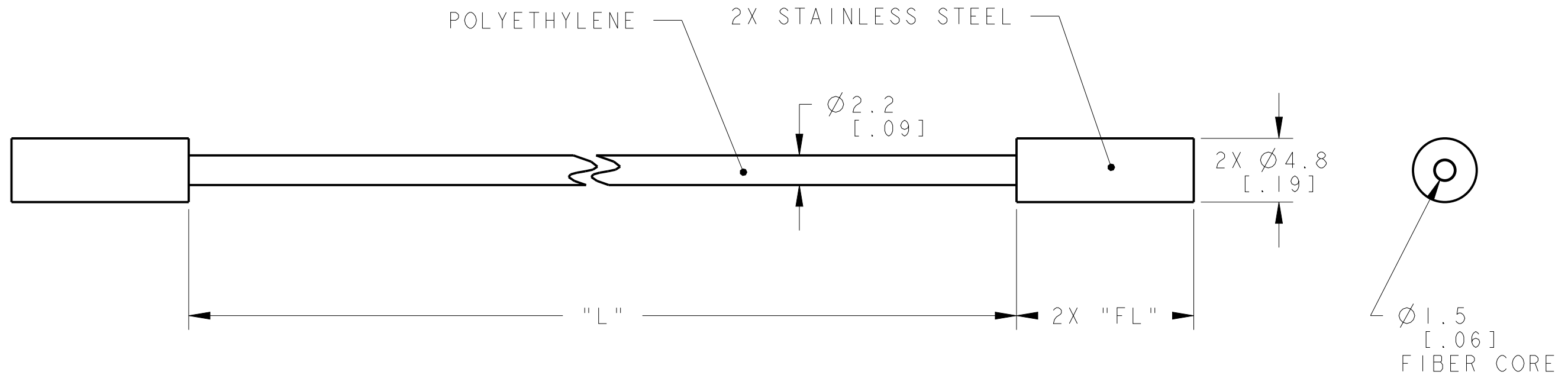
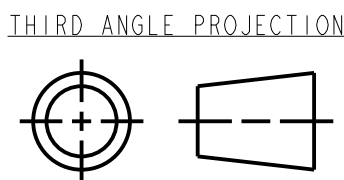


MODEL NO.	"L"	"FL"	P/N
PIF62T	610 [24]	13.2 [.52]	51762
PIF63T	914 [36]	13.2 [.52]	87089
PIF6.8TMFL.75	229 [9]	19.0 [.75]	809624



NOTES:
 1. ALL DIMENSIONS ARE MILLIMETERS [INCHES] UNLESS OTHERWISE NOTED.
 2. REFER TO "www.bannerengineering.com" FOR ADDITIONAL DATA AND SPECIFICATIONS.

This drawing is the property of BANNER ENGINEERING CORP. Any use or reproduction, in any form, without prior written permission of Banner is prohibited. © 2015 Banner Engineering Corp.



		BANNER ENGINEERING CORP.	
		www.bannerengineering.com	
TITLE			
PIF6 SERIES TERMINATED			
SIZE B	DRAWING NO. 193949	REV. B	
SCALE 3:1		SHEET 1 OF 1	

CREO