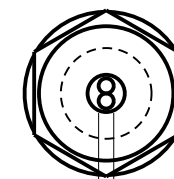
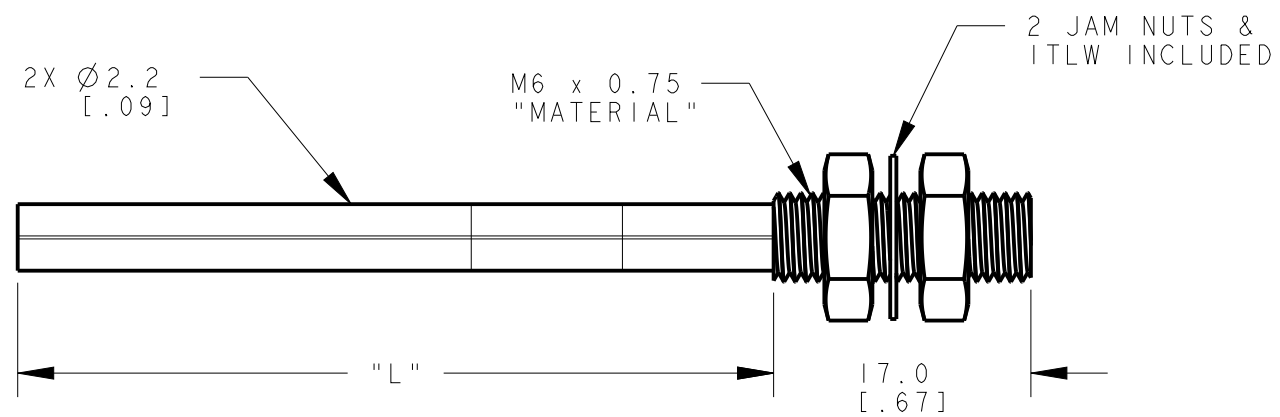
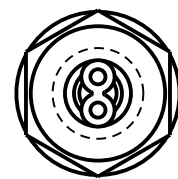


MODEL NO.	"L"	P/N
PBT430UMNF	10000 [394]	803911
PBT46UMNF	12192 [480]	78366
PBT46UMNF	2000 [79]	32966



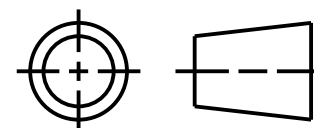
2X $\varnothing 1.0$ [.04]

This drawing is the property of BANNER ENGINEERING CORP. Any use or reproduction, in any form, without prior written permission of Banner is prohibited. © 2015 Banner Engineering Corp.



BANNER ENGINEERING CORP.
www.bannerengineering.com

THIRD ANGLE PROJECTION



TITLE
PBT4 SERIES W/MODIFIED FERRULE UNTERMINATED

SIZE B DRAWING NO. **193418** REV. **A**

SCALE 2:1 SHEET 1 OF 1

NOTES:
1. ALL DIMENSIONS ARE MILLIMETERS [INCHES] UNLESS OTHERWISE NOTED.
2. REFER TO "www.bannerengineering.com" FOR ADDITIONAL DATA AND SPECIFICATIONS.

CREO