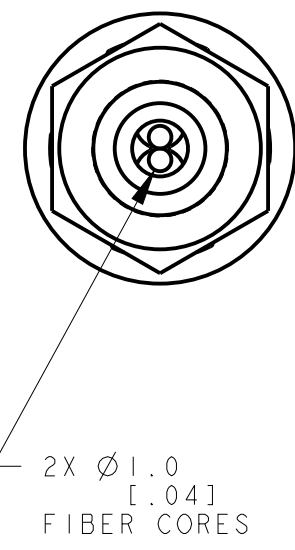
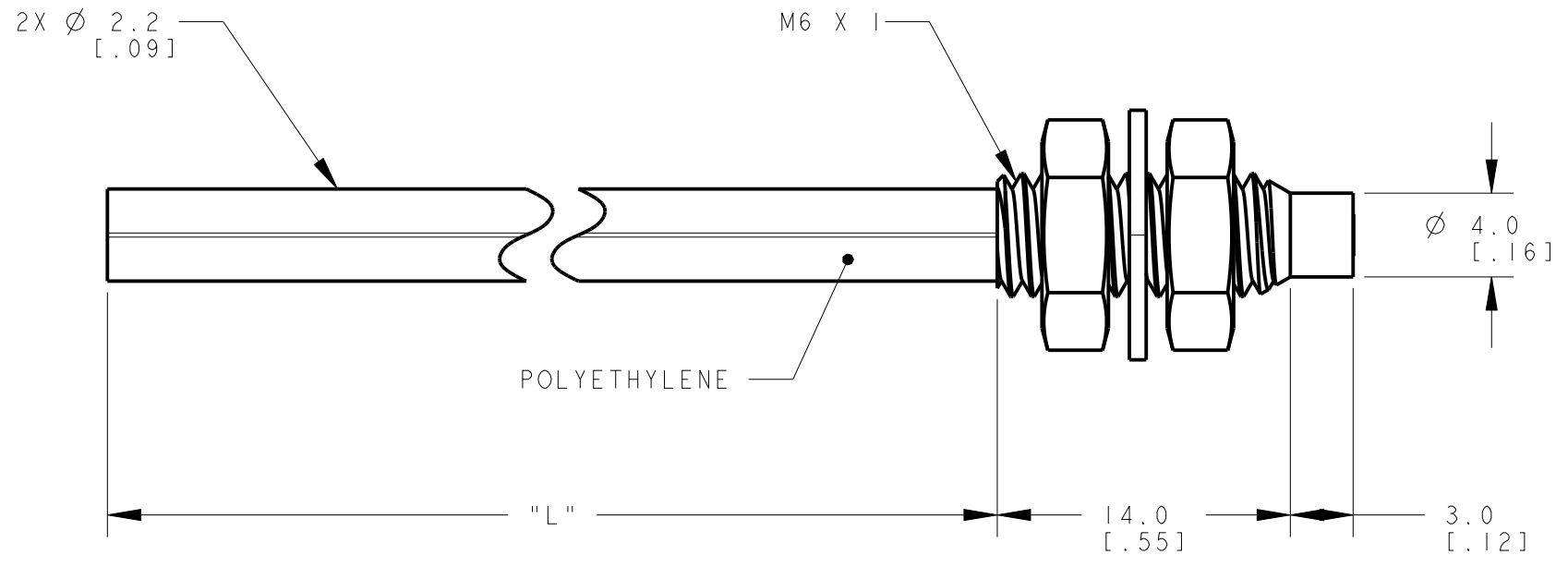


8	7	6	5	4	3	2	1
MODEL NO.	"L"	P/N					
PBT46UM6X1	2000 [79]	28059					

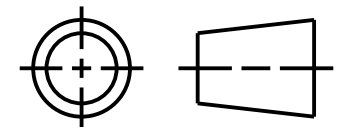


This drawing is the property of BANNER ENGINEERING CORP. Any use or reproduction, in any form, without prior written permission of Banner is prohibited. © 2015 Banner Engineering Corp.

**BANNER** BANNER ENGINEERING CORP.  
www.bannerengineering.com

TITLE  
**PBT4 M6 X 1 UNTERMINATED**

THIRD ANGLE PROJECTION



SIZE B	DRAWING NO. <b>193405</b>	REV. <b>A</b>
-----------	------------------------------	------------------

SCALE 3:1	SHEET 1 OF 1	CREO
--------------	-----------------	------

NOTES:  
1. ALL DIMENSIONS ARE MILLIMETERS [INCHES] UNLESS OTHERWISE NOTED.  
2. REFER TO "www.bannerengineering.com" FOR ADDITIONAL DATA AND SPECIFICATIONS.

8	7	6	5	4	3	2	1
---	---	---	---	---	---	---	---