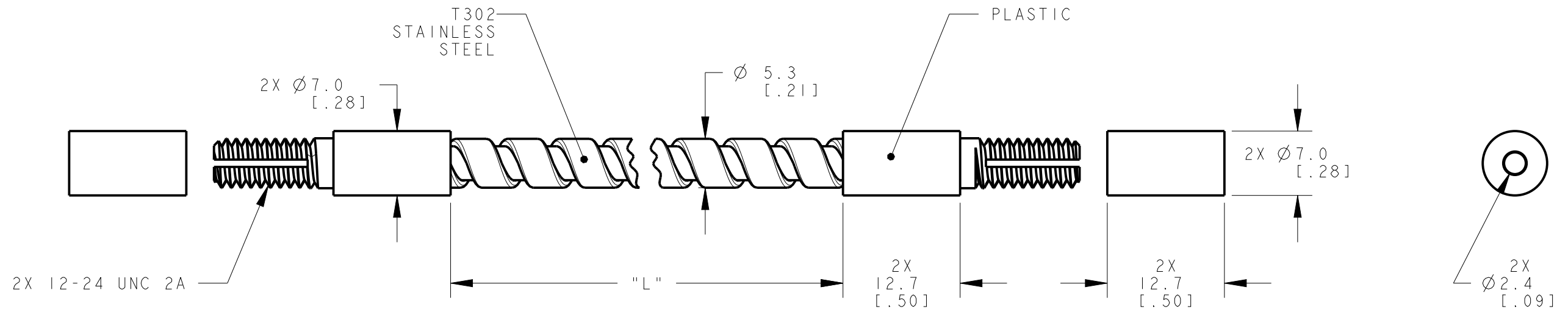


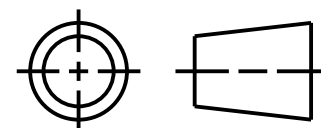
MODEL NO.	"L"	P/N
PFS53S6	1829 [72]	42825
PFS53S3	914 [36]	42846
PFS53S2	610 [24]	48038
PFS53S30	9144 [360]	97588



NOTES:
 1. ALL DIMENSIONS ARE MILLIMETERS [INCHES] UNLESS OTHERWISE NOTED.
 2. REFER TO "www.bannerengineering.com" FOR ADDITIONAL DATA AND SPECIFICATIONS.

This drawing is the property of BANNER ENGINEERING CORP. Any use or reproduction, in any form, without prior written permission of Banner is prohibited. © 2015 Banner Engineering Corp.

THIRD ANGLE PROJECTION



		BANNER ENGINEERING CORP. www.bannerengineering.com	
TITLE PFS5 T302 STAINLESS STEEL SHEATH			
SIZE B	DRAWING NO. 193399	REV. A	
SCALE 2:1		SHEET 1 OF 1	

CREO