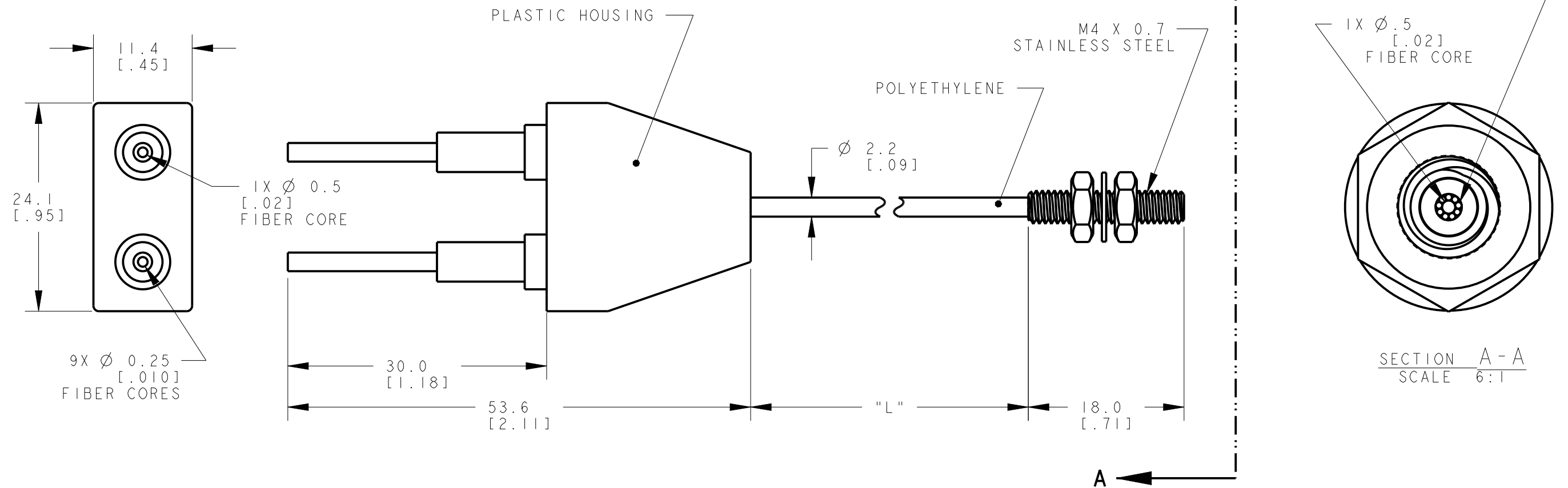


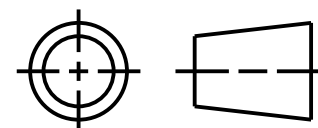
8	7	6	5	4	3	2	1
MODEL NO.	"L"	P/N					
PBCT23T1	1000 [39]	42870					
PBCT26T1	2000 [79]	51773					



NOTES:
 1. ALL DIMENSIONS ARE MILLIMETERS [INCHES] UNLESS OTHERWISE NOTED.
 2. REFER TO "www.bannerengineering.com" FOR ADDITIONAL DATA AND SPECIFICATIONS.

This drawing is the property of BANNER ENGINEERING CORP. Any use or reproduction, in any form, without prior written permission of Banner is prohibited. © 2015 Banner Engineering Corp.

THIRD ANGLE PROJECTION



		BANNER ENGINEERING CORP. www.bannerengineering.com	
TITLE PBCT2 SERIES T1 TERMINATED			
SIZE B	DRAWING NO. 193394	REV. A	
SCALE 2:1		SHEET 1 OF 1	

CREO