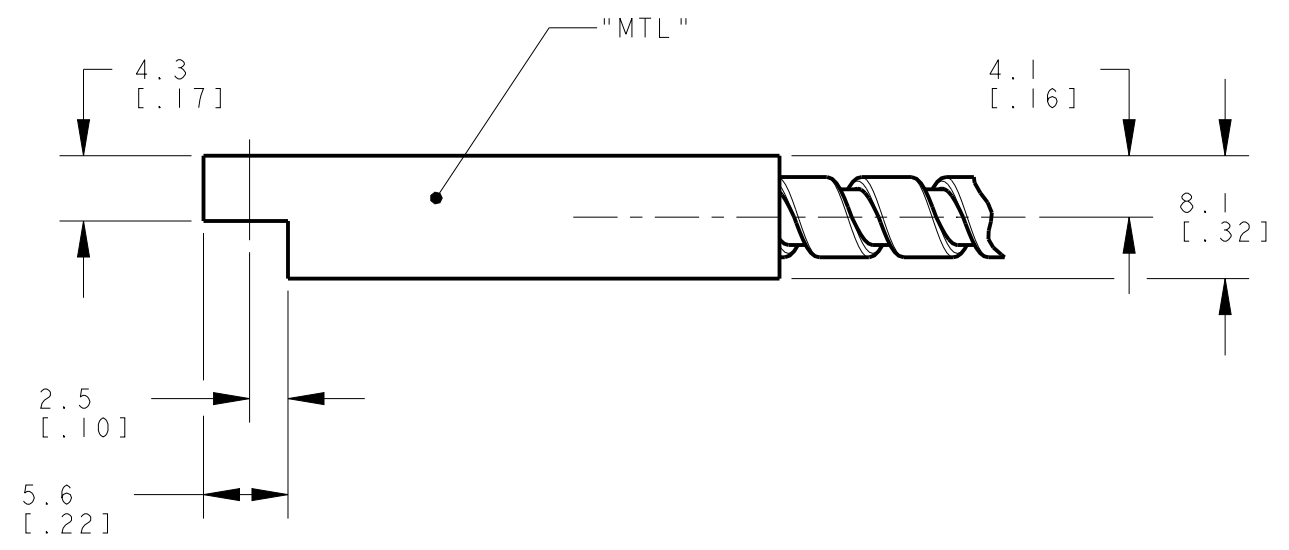
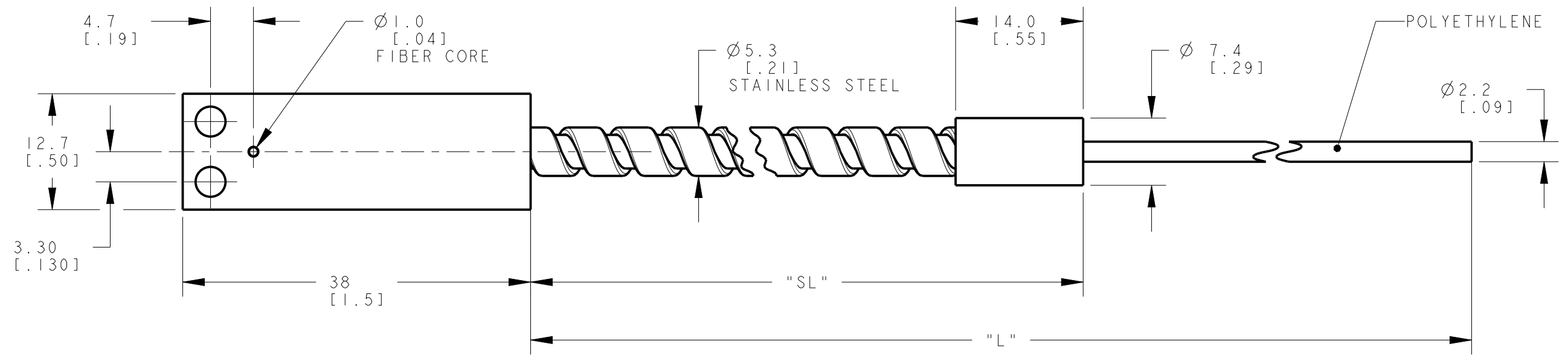
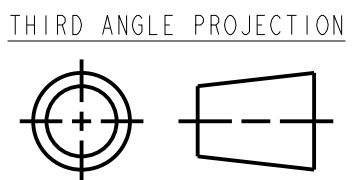



8	7	6	5	4	3	2	1
MODEL NO.	"L"	"SL"	"MTL"	P/N			
PIA46UHFMBMP	2000 [.79]	356 [.14]	PLASTIC	51822			
PIA46UHFMBSS	2000 [.79]	356 [.14]	STAINLESS STEEL	94207			



NOTES:  
 1. ALL DIMENSIONS ARE MILLIMETERS [INCHES] UNLESS OTHERWISE NOTED.  
 2. REFER TO "www.bannerengineering.com" FOR ADDITIONAL DATA AND SPECIFICATIONS.

This drawing is the property of BANNER ENGINEERING CORP. Any use or reproduction, in any form, without prior written permission of Banner is prohibited. © 2015 Banner Engineering Corp.



 BANNER ENGINEERING CORP. <a href="http://www.bannerengineering.com">www.bannerengineering.com</a>		
<b>TITLE</b> <b>PIA4 HIGH FLEX UNTERMINATED</b>		
<b>SIZE</b> B	<b>DRAWING NO.</b> <b>193386</b>	<b>REV.</b> <b>2</b>
<b>SCALE</b> 2:1		<b>SHEET</b> 1 OF 1