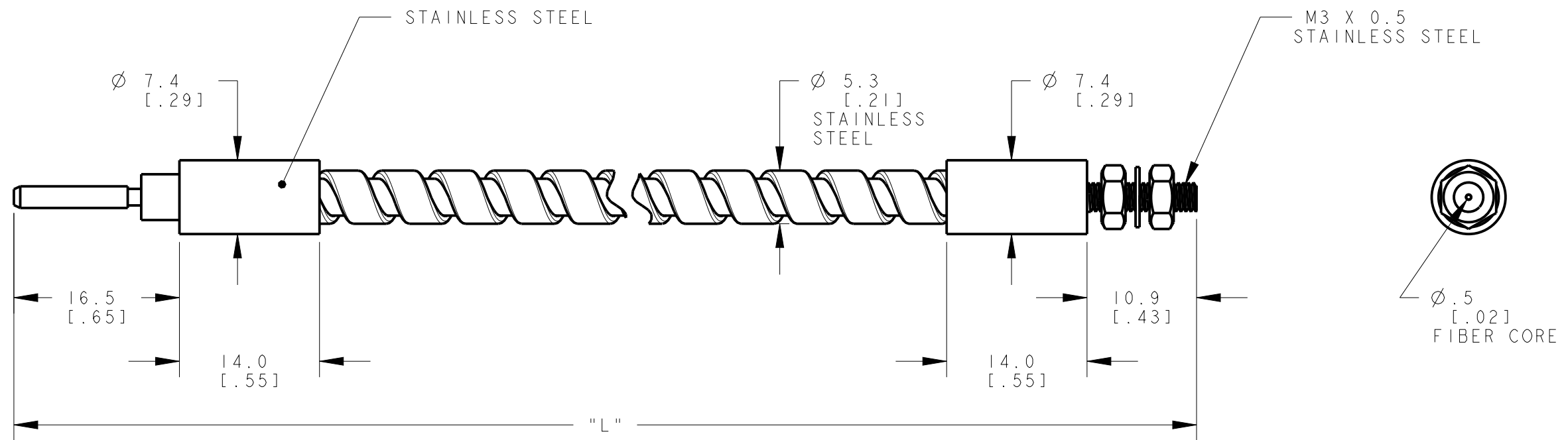


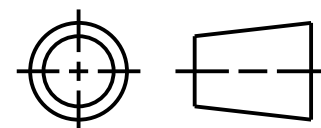
MODEL NO.	"L"	P/N
PIT23TS	1000 [39]	48007
PIT26TS	2000 [79]	48008
PIT21TS	305 [12]	70380



NOTES:
 1. ALL DIMENSIONS ARE MILLIMETERS [INCHES] UNLESS OTHERWISE NOTED.
 2. REFER TO "www.bannerengineering.com" FOR ADDITIONAL DATA AND SPECIFICATIONS.

This drawing is the property of BANNER ENGINEERING CORP. Any use or reproduction, in any form, without prior written permission of Banner is prohibited.
 © 2015 Banner Engineering Corp.

THIRD ANGLE PROJECTION



		BANNER ENGINEERING CORP. www.bannerengineering.com	
TITLE PIT2 SERIES TERMINATED			
SIZE B	DRAWING NO. 193358	REV. A	
SCALE 2:1		SHEET 1 OF 1	

CREO