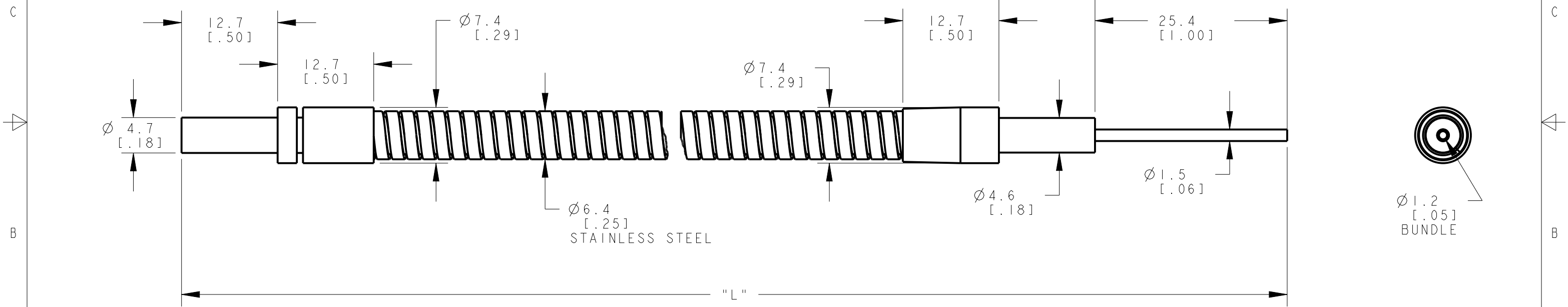


8 | 7 | 6 | 5 | 4 | 3 | 2 | 1

MODEL NO.	"L"	P/N
IM.751.5S	457 [18]	17322
IM.751S	305 [12]	20007
IM.753S	914 [36]	17328
IM.754S	1219 [48]	17370
IM.756S	1829 [72]	20134
IM.753SM600	914 [36]	22877
IM.753.5S	1067 [42]	22582
IM.752SM600	610 [24]	17919
IM.75.5S	152 [6]	20355
IM.75.83S	254 [10]	20989
IM.752S	610 [24]	17325

NOTE - 'M600' SUFFIX INDICATES THAT FIBERS POTTED ON PROBE END WITH EPOXY THAT OPERATES IN MAX. TEMPERATURES OF 600°F.

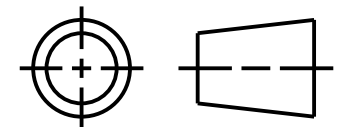


NOTES:
 1. ALL DIMENSIONS ARE MILLIMETERS [INCHES] UNLESS OTHERWISE NOTED.
 2. REFER TO "www.bannerengineering.com" FOR ADDITIONAL DATA AND SPECIFICATIONS.

This drawing is the property of BANNER ENGINEERING CORP. Any use or reproduction, in any form, without prior written permission of Banner is prohibited. © 2015 Banner Engineering Corp.

BANNER BANNER ENGINEERING CORP.
 www.bannerengineering.com

THIRD ANGLE PROJECTION



TITLE
IM.75 SERIES

SIZE B	DRAWING NO. 193316	REV. A
SCALE 2:1		SHEET 1 OF 1

CREO

8 | 7 | 6 | 5 | 4 | 3 | 2 | 1