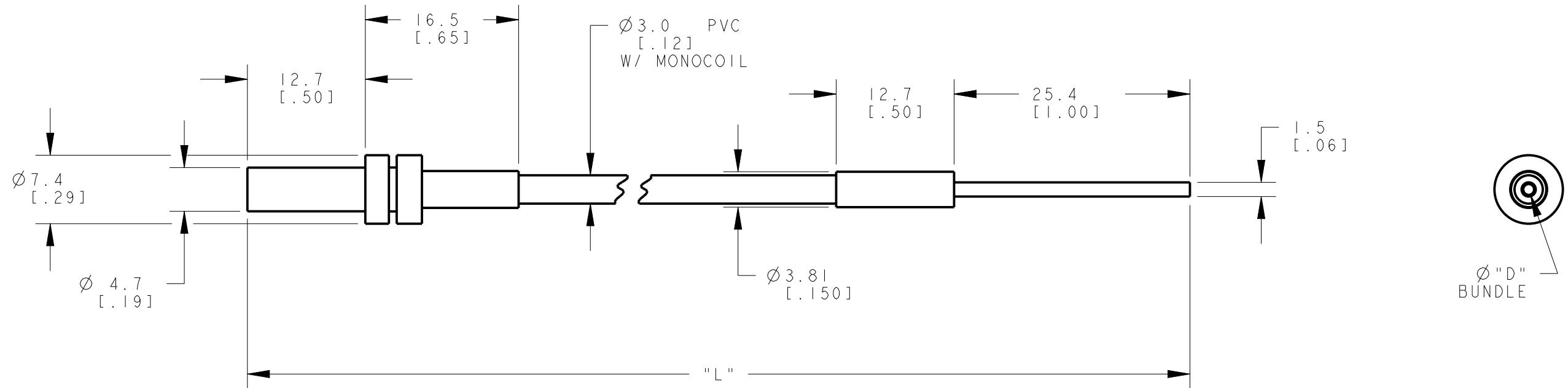


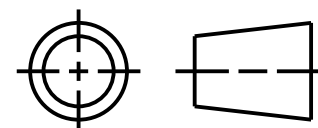
MODEL NO.	"L"	"D"	P/N
IMP.756P	1829 [72]	1.17 [.046]	23383
IMP.752P	610 [24]	1.17 [.046]	22800
IMP.753P	914 [36]	1.17 [.046]	21072



NOTES:
 1. ALL DIMENSIONS ARE MILLIMETERS [INCHES] UNLESS OTHERWISE NOTED.
 2. REFER TO "www.bannerengineering.com" FOR ADDITIONAL DATA AND SPECIFICATIONS.

This drawing is the property of BANNER ENGINEERING CORP. Any use or reproduction, in any form, without prior written permission of Banner is prohibited. © 2015 Banner Engineering Corp.

THIRD ANGLE PROJECTION



		BANNER ENGINEERING CORP.	
		www.bannerengineering.com	
TITLE			
IMP.753P SERIES			
SIZE B	DRAWING NO. 193315	REV. A	
SCALE 2:1	SHEET 1 OF 1		CREO