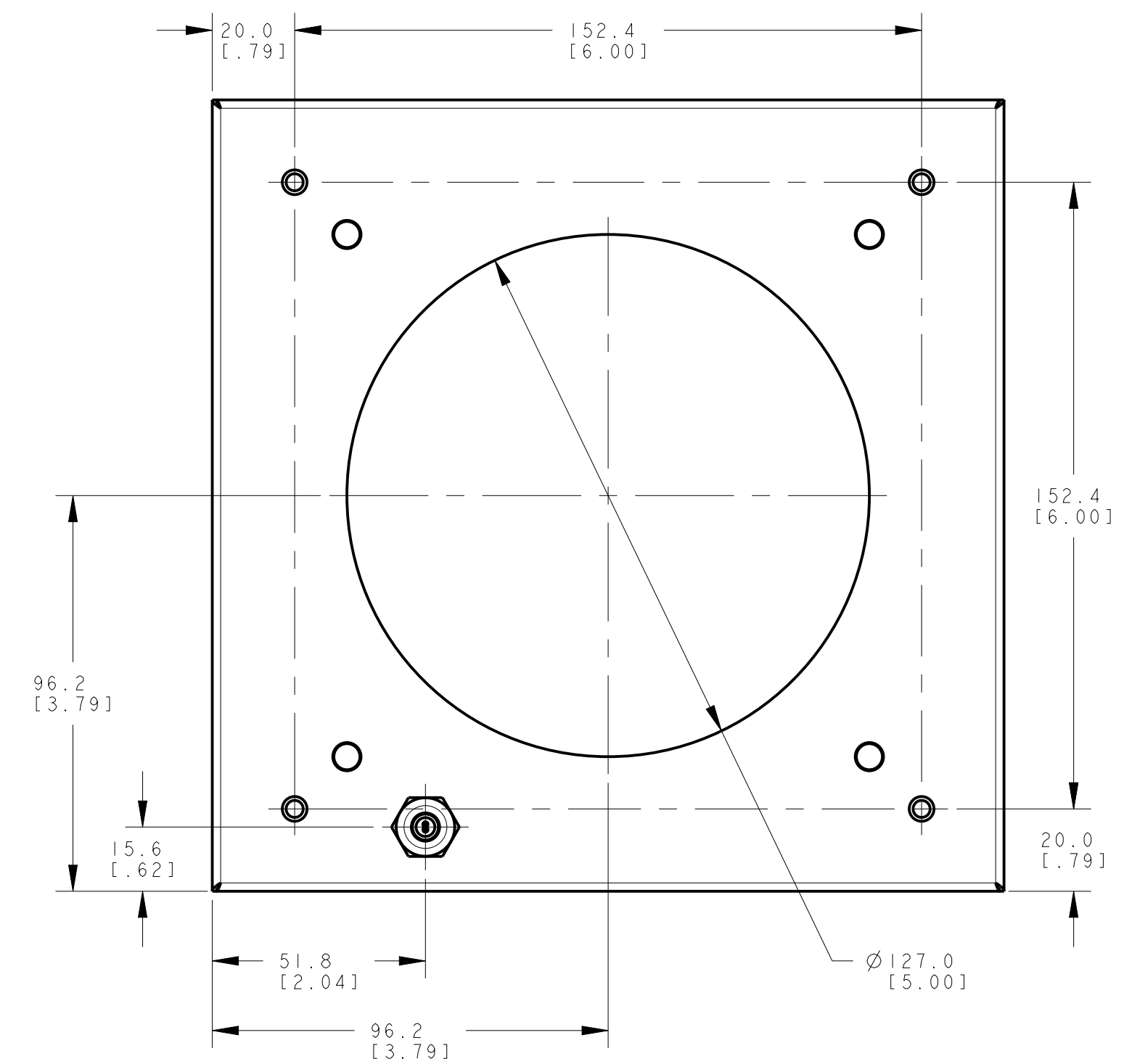
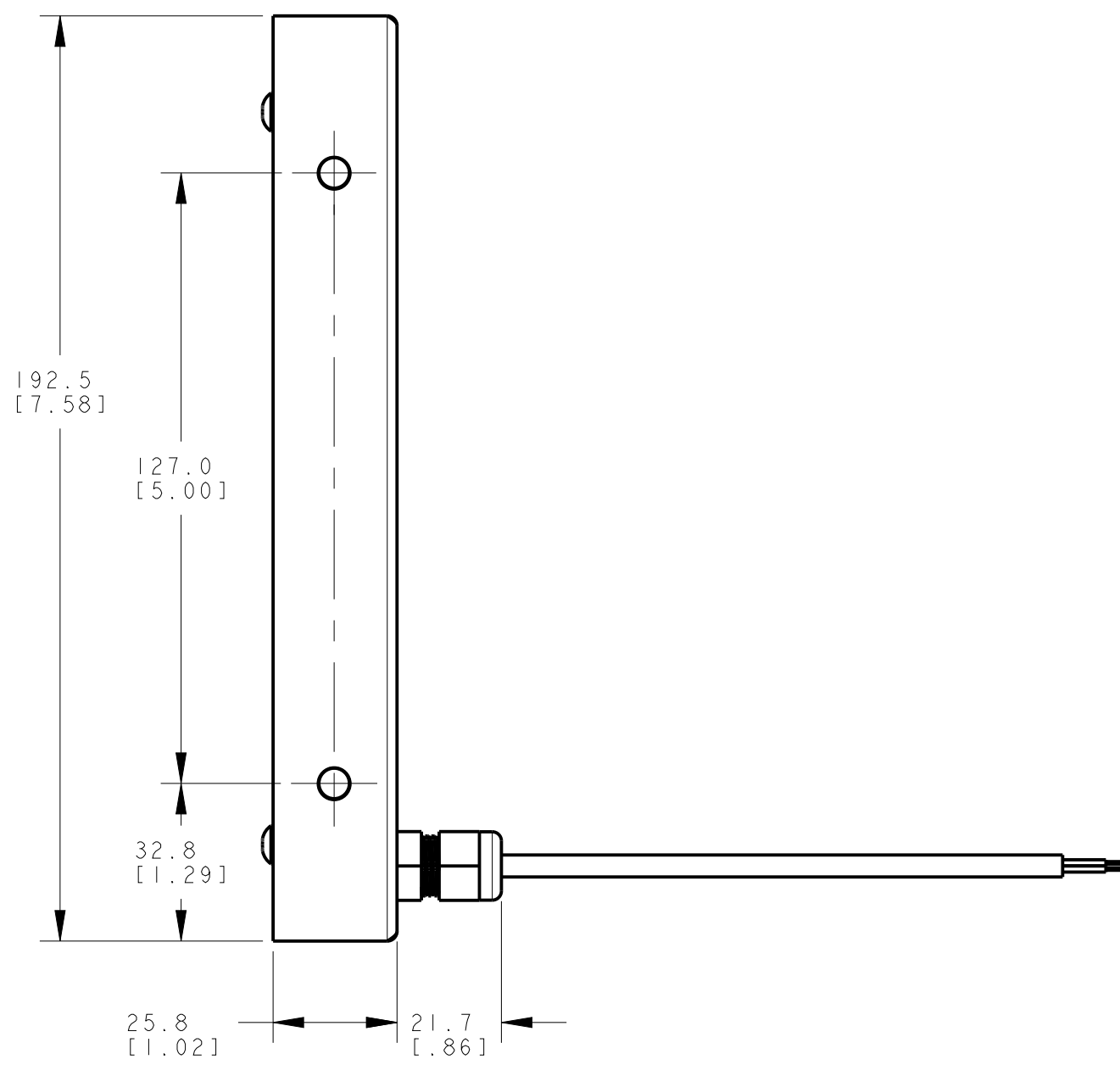
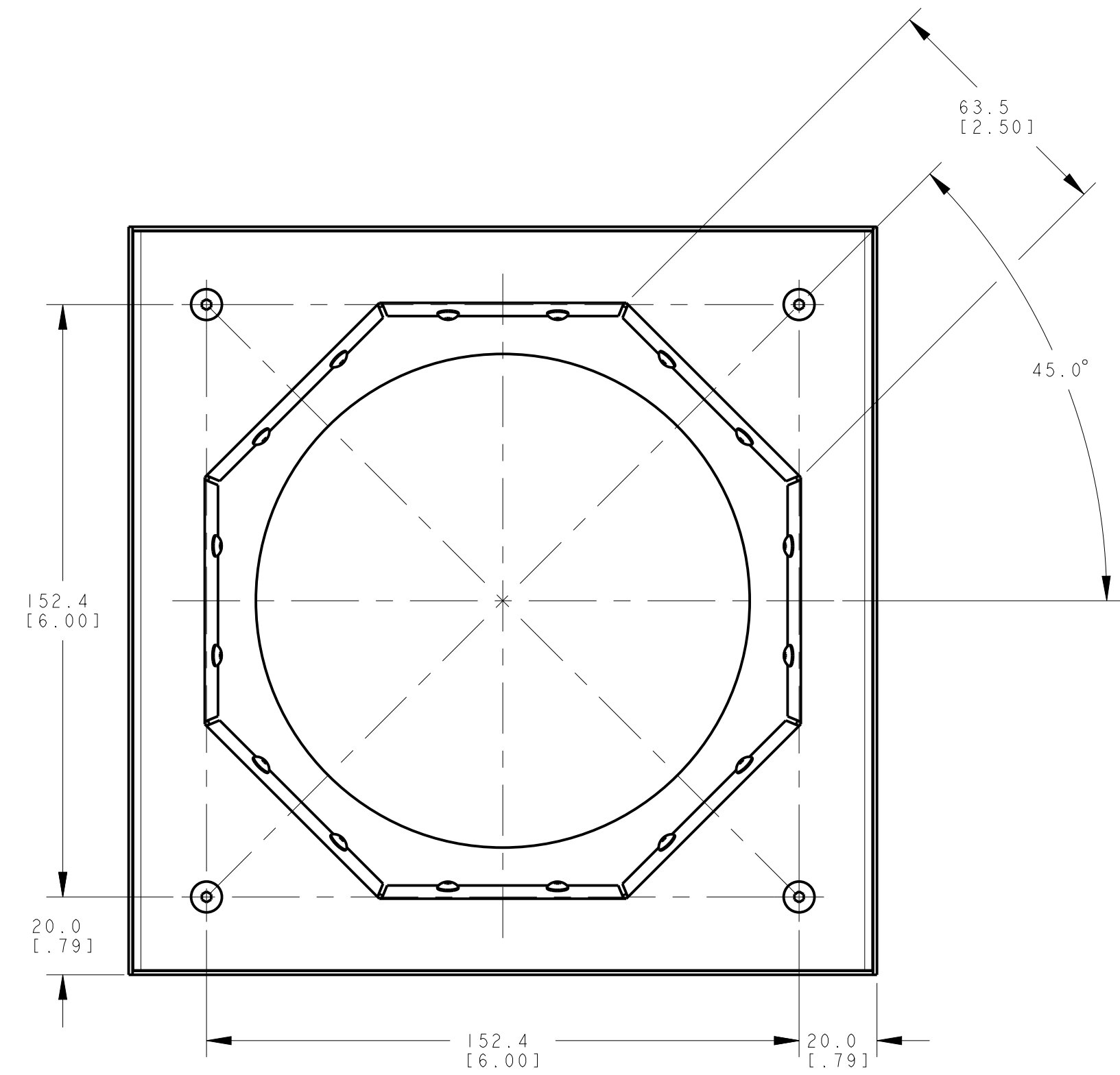


ISOMETRIC VIEW
SCALE 3:4



NOTES:
1. ALL DIMENSIONS ARE MILLIMETERS [INCHES] UNLESS OTHERWISE NOTED.
2. REFER TO "www.bannerengineering.com" FOR ADDITIONAL DATA AND SPECIFICATIONS.

<small>This drawing is the property of BANNER ENGINEERING CORP. Any use or reproduction in any form, without prior written permission of Banner is prohibited. © 2015 Banner Engineering Corp.</small>		BANNER BANNER ENGINEERING CORP. www.bannerengineering.com	
THIRD ANGLE PROJECTION		TITLE LEDRI150-3M	
SIZE D	DRAWING NO. 193064	REV. B	
SCALE 3:4		SHEET 1 OF 1	