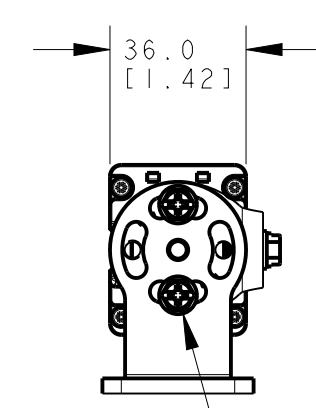
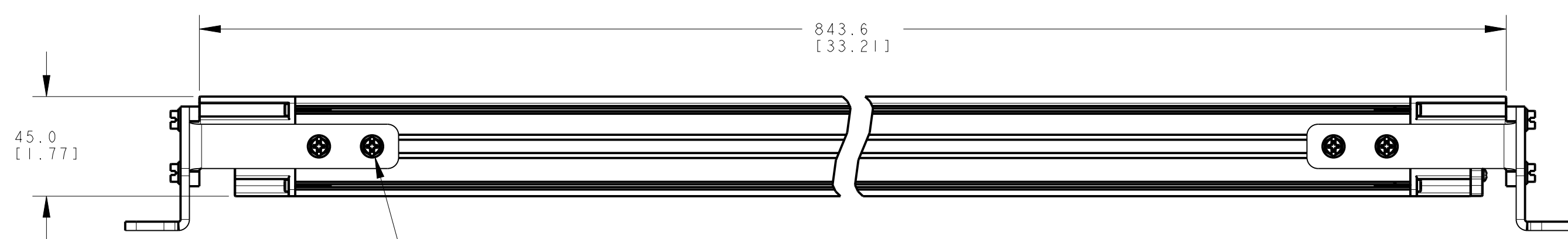


14 mm RESOLUTION: 33.6-36.7 [1.32-1.44]
 23 mm RESOLUTION: 41.5-45.5 [1.63-1.79]
 40 mm RESOLUTION: 59.0-63.0 [2.32-2.48]

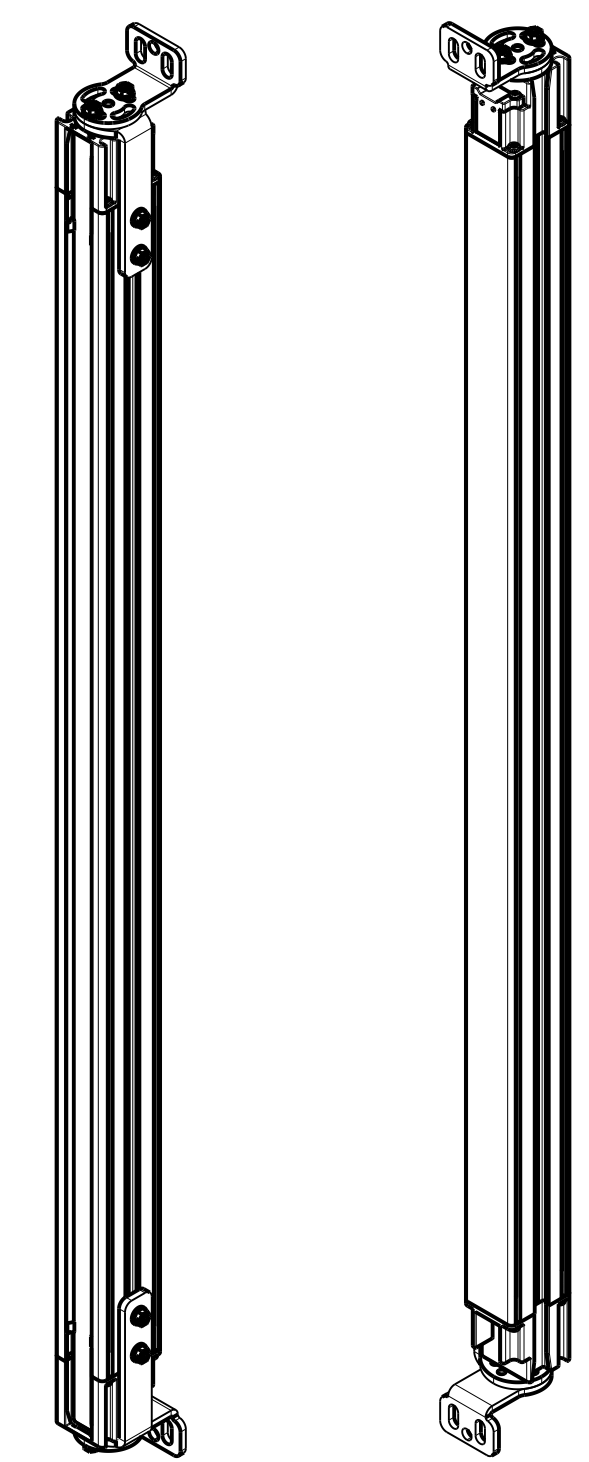
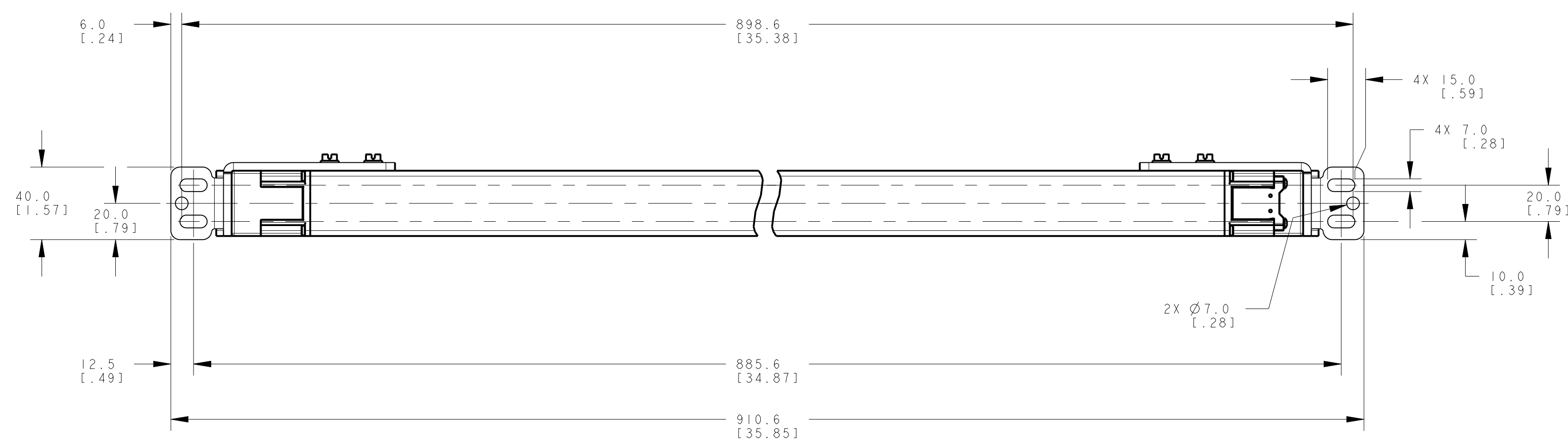
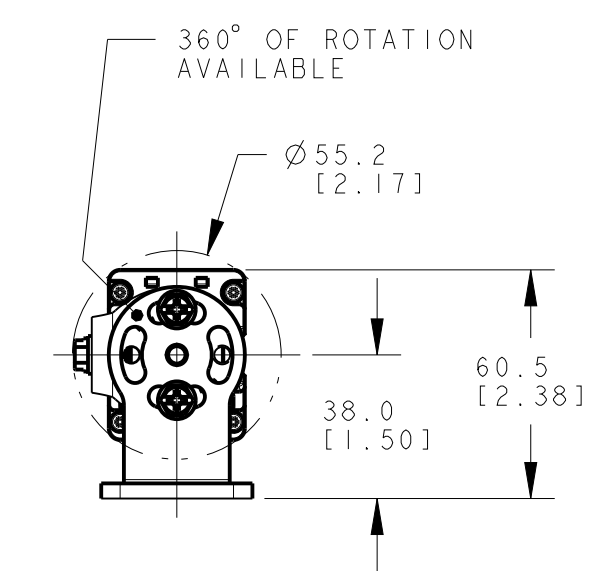
14 mm RESOLUTION: 6.1-9.2 [2.24-.36]
 23 mm RESOLUTION: 14.0-18.0 [1.55-.71]
 40 mm RESOLUTION: 31.5-35.5 [1.24-1.40]



4X M5 SCREW
 36 in-lbs [3 ft-lbs]
 MAX. TORQUE



4X M5 SCREW
 36 in-lbs [3 ft-lbs]
 MAX. TORQUE



ISOMETRIC VIEW SCALE 1:4

ISOMETRIC VIEW SCALE 1:4

NOTES:
 1. ALL DIMENSIONS ARE MILLIMETERS [INCHES] UNLESS OTHERWISE NOTED.
 2. REFER TO "www.bannerengineering.com" FOR ADDITIONAL DATA AND SPECIFICATIONS.

This drawing is the property of BANNER ENGINEERING CORP. Any use or reproduction, in any form, without prior written permission of Banner is prohibited.
 © 2015 Banner Engineering Corp.
 THIRD ANGLE PROJECTION

BANNER BANNER ENGINEERING CORP.
 www.bannerengineering.com
 TITLE
EZ-SCREEN LS, SLCCR, -840mm
WEB CAD DRAWINGS 2D/3D
 SIZE D DRAWING NO. **192998** REV. **B**
 SCALE 1:2 SHEET 1 OF 1