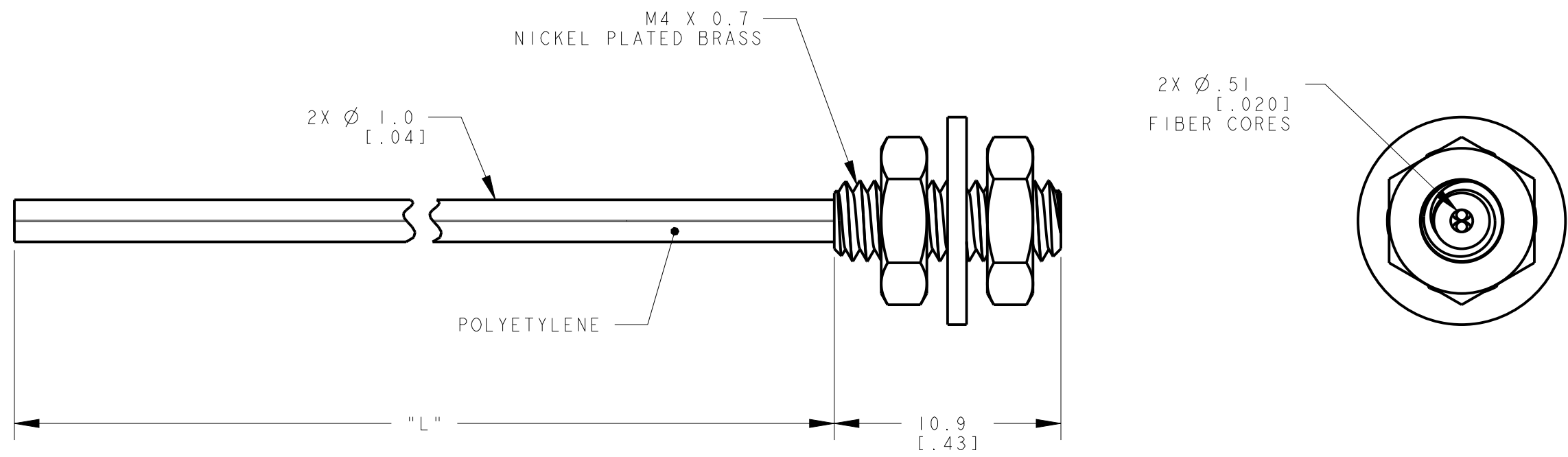


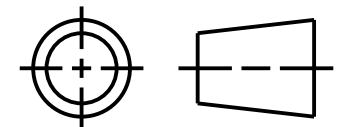
8	7	6	5	4	3	2	1
MODEL NO.	"L"	P/N					
PBT26UM4	2000 [79]	28247					




NOTES:
 1. ALL DIMENSIONS ARE MILLIMETERS [INCHES] UNLESS OTHERWISE NOTED.
 2. REFER TO "www.bannerengineering.com" FOR ADDITIONAL DATA AND SPECIFICATIONS.

This drawing is the property of BANNER ENGINEERING CORP. Any use or reproduction, in any form, without prior written permission of Banner is prohibited. © 2015 Banner Engineering Corp.

THIRD ANGLE PROJECTION



 BANNER ENGINEERING CORP. www.bannerengineering.com	
TITLE	
PBT2 M SERIES UNTERMINATED	
SIZE B	DRAWING NO. 192785
SCALE 4:1	REV. A
SHEET 1 OF 1	

CREO