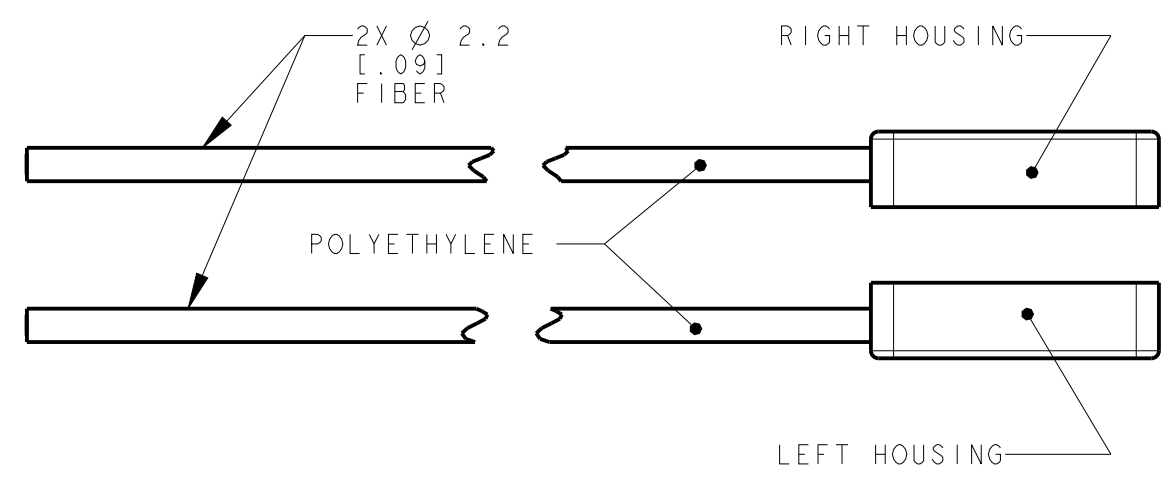
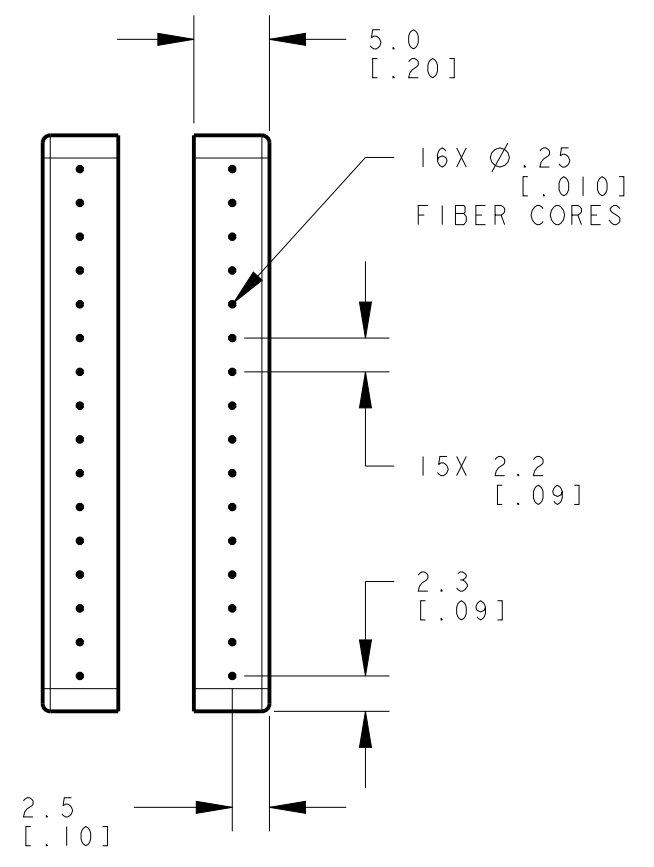
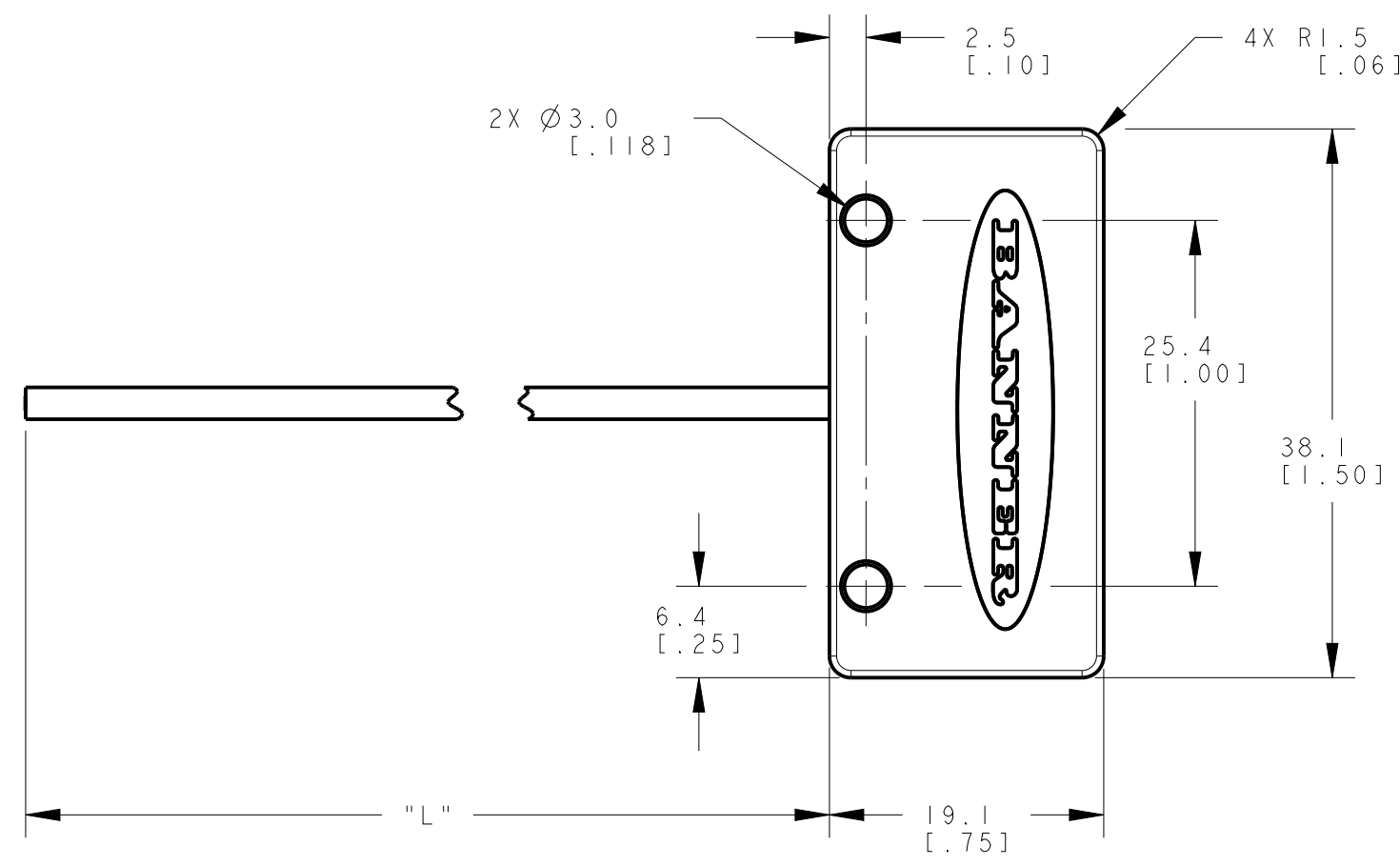


8	7	6	5	4	3	2	1
MODEL NO.	"L"	P/N	*ASSEMBLY CONSISTS OF (1) LEFT AND (1) RIGHT HAND FIBER				
PIRIXI66UMPMAL	2000 [79]	71858					

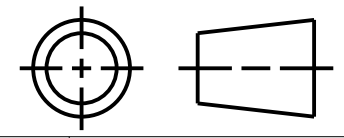


NOTES:
 1. ALL DIMENSIONS ARE MILLIMETERS [INCHES] UNLESS OTHERWISE NOTED.
 2. REFER TO "www.bannerengineering.com" FOR ADDITIONAL DATA AND SPECIFICATIONS.

This drawing is the property of BANNER ENGINEERING CORP. Any use or reproduction, in any form, without prior written permission of Banner is prohibited. © 2015 Banner Engineering Corp.



THIRD ANGLE PROJECTION



TITLE
PIRI MPMAL SERIES UNTERMINATED

SIZE B	DRAWING NO. 192783	REV. A
SCALE 2:1	SHEET 1 OF 1	

CREO