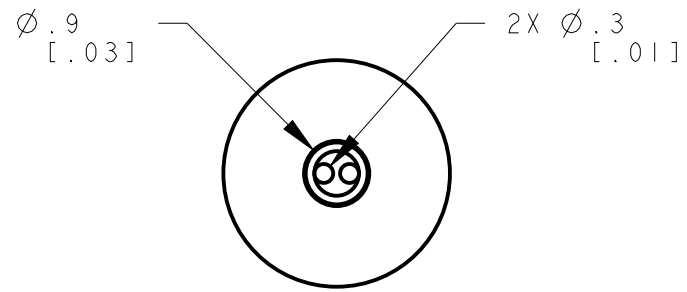
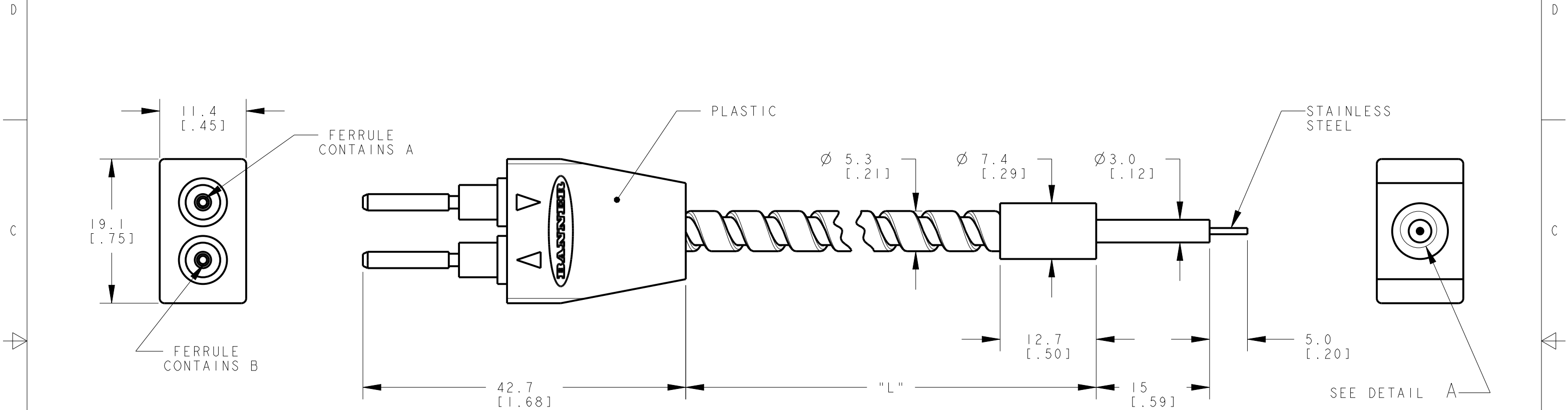


8	7	6	5	4	3	2	1
MODEL NO.	"L"	P/N					
PBFMP12TSMP.2	610 [24]	40427					
PBFMP1.33TSMP.2	102 [4]	61195					

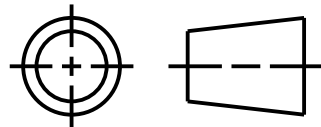


DETAIL A
SCALE 10:1

NOTES:
1. ALL DIMENSIONS ARE MILLIMETERS [INCHES] UNLESS OTHERWISE NOTED.
2. REFER TO "www.bannerengineering.com" FOR ADDITIONAL DATA AND SPECIFICATIONS.

This drawing is the property of BANNER ENGINEERING CORP. Any use or reproduction, in any form, without prior written permission of Banner is prohibited. © 2015 Banner Engineering Corp.

THIRD ANGLE PROJECTION



		BANNER ENGINEERING CORP. www.bannerengineering.com	
TITLE PBFMPI MP SERIES TERMINATED			
SIZE B	DRAWING NO. 192780	REV. A	
SCALE 2:1		SHEET 1 OF 1	