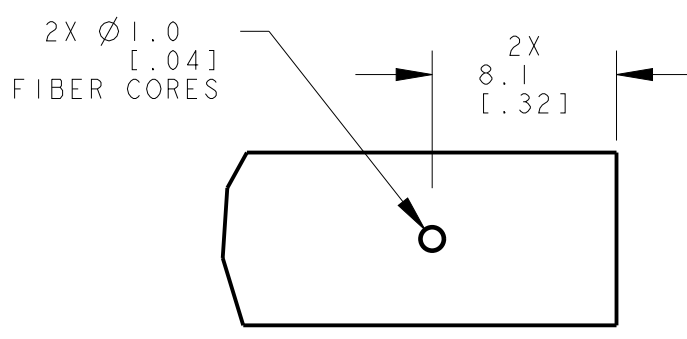
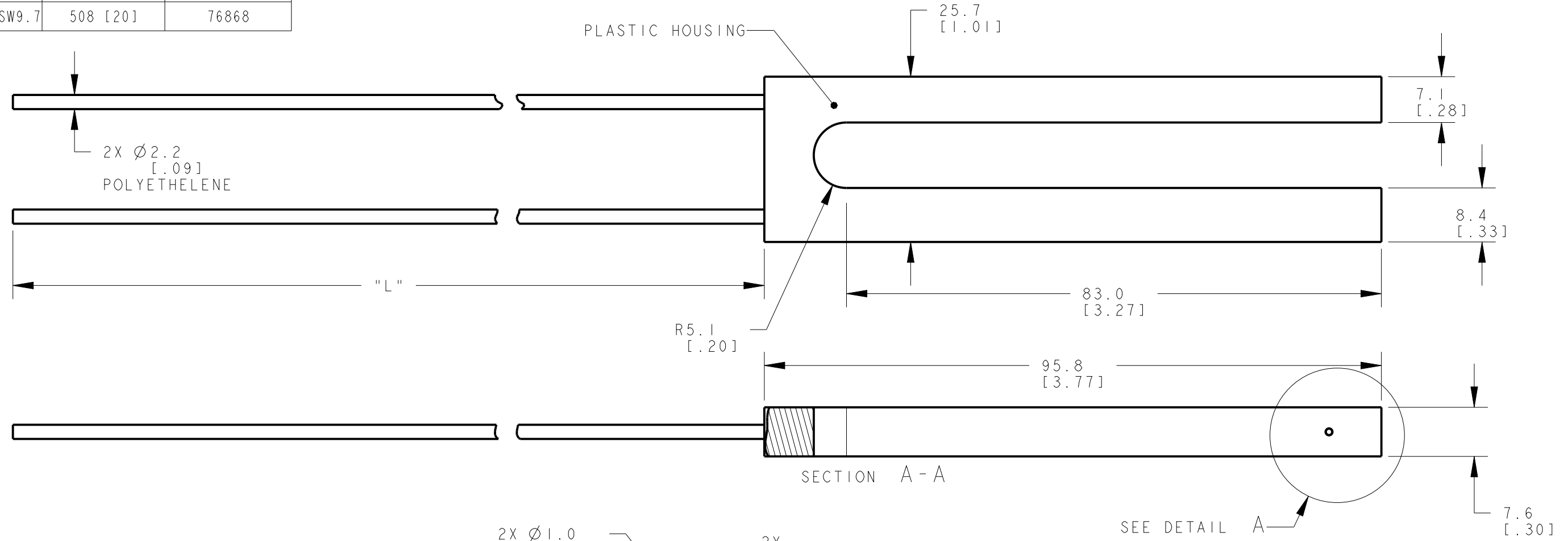


8	7	6	5	4	3	2	1
MODEL NO.	"L"	P/N					
PDIS41.7UHFMSW9.7	508 [20]	76868					

NOTE: - 'HF' DENOTES HIGH-FLEX FIBER CABLE - VERY SMALL BEND RADIUS PERMISSIBLE BEFORE TRANSMISSION LOSS.

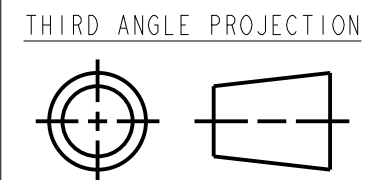


DETAIL A  
SCALE 3:1

This drawing is the property of BANNER ENGINEERING CORP. Any use or reproduction, in any form, without prior written permission of Banner is prohibited. © 2015 Banner Engineering Corp.

**BANNER** BANNER ENGINEERING CORP.  
www.bannerengineering.com

TITLE  
**PDIS41.7UHFMSW9.7**



SIZE B	DRAWING NO. <b>192776</b>	REV. <b>A</b>
SCALE 3:2	SHEET 1 OF 1	

NOTES:  
1. ALL DIMENSIONS ARE MILLIMETERS [INCHES] UNLESS OTHERWISE NOTED.  
2. REFER TO "www.bannerengineering.com" FOR ADDITIONAL DATA AND SPECIFICATIONS.