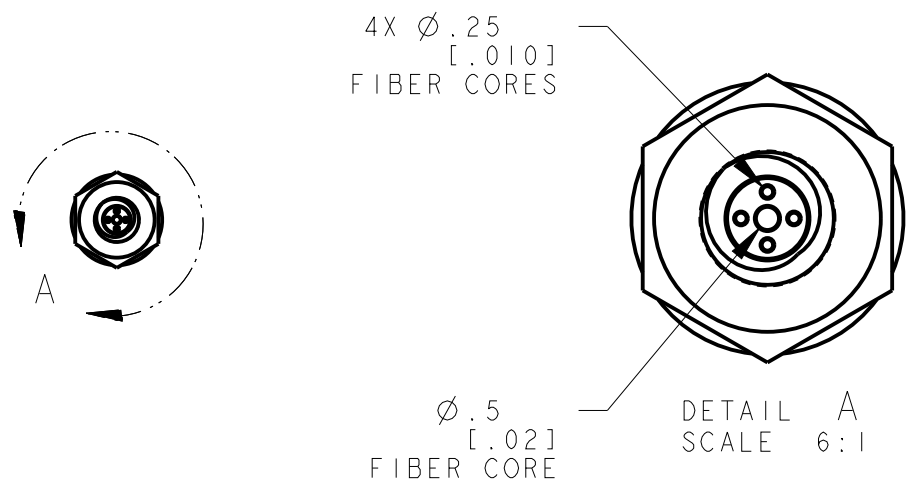
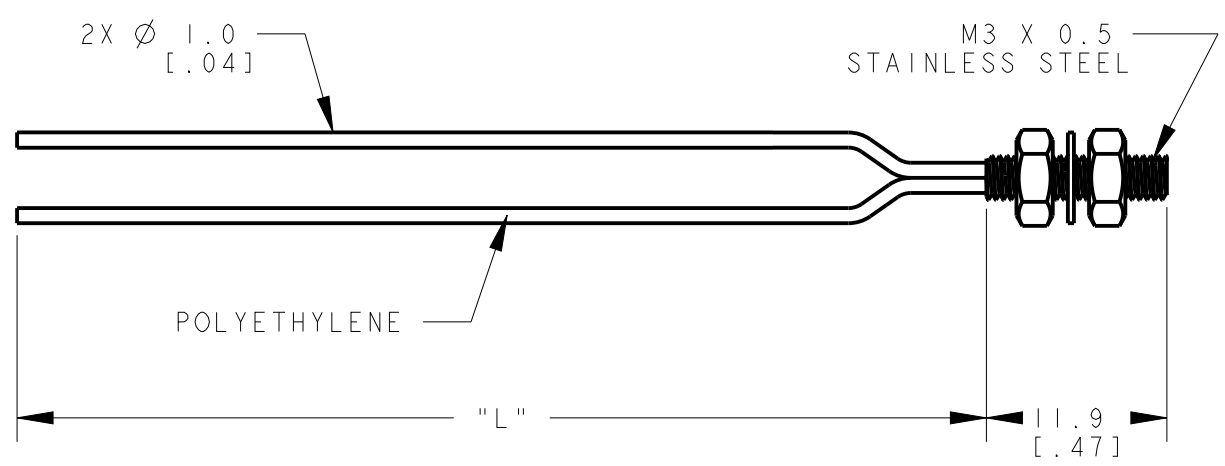


8	7	6	5	4	3	2	1
MODEL NO.	"L"	P/N					
PBCT21X46U	2000 [79]	45071					
PBCT21X415U	4572 [180]	71137					



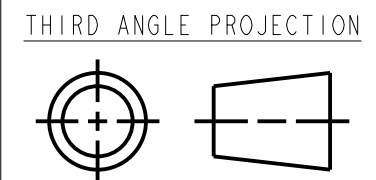
This drawing is the property of BANNER ENGINEERING CORP. Any use or reproduction, in any form, without prior written permission of Banner is prohibited. © 2015 Banner Engineering Corp.

BANNER BANNER ENGINEERING CORP.
www.bannerengineering.com

TITLE
PBCT2 SERIES UNTERMINATED

SIZE B DRAWING NO. **192763** REV. **A**

SCALE 2:1 SHEET 1 OF 1 CREO



NOTES:
1. ALL DIMENSIONS ARE MILLIMETERS [INCHES] UNLESS OTHERWISE NOTED.
2. REFER TO "www.bannerengineering.com" FOR ADDITIONAL DATA AND SPECIFICATIONS.