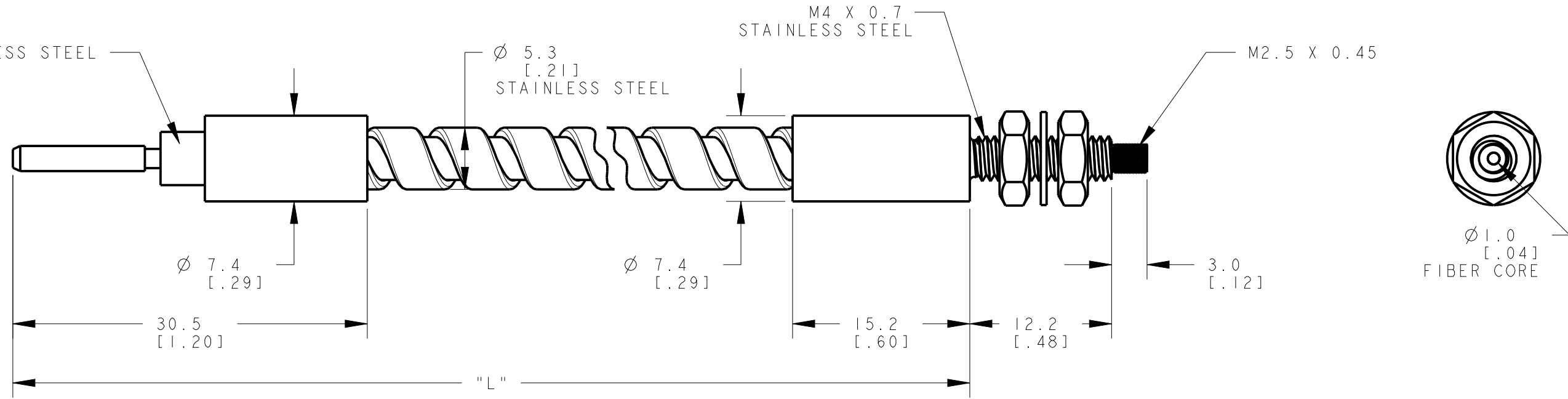


MODEL NO.	"L"	P/N
PIT43TS	1000 [39]	39999
PIT46TS	2000 [79]	42798
PIT415TS	4572 [180]	48088
PIT41.5TS	457 [18]	56047
PIT430TS	10000 [394]	17488

'TS' SUFFIX DENOTES FIBER TO BE USED WITH DI2 FP SERIES SENSORS.



NOTES:
 1. ALL DIMENSIONS ARE MILLIMETERS [INCHES] UNLESS OTHERWISE NOTED.
 2. REFER TO "www.bannerengineering.com" FOR ADDITIONAL DATA AND SPECIFICATIONS.

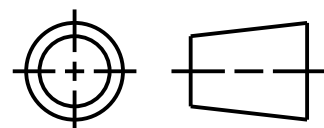
This drawing is the property of BANNER ENGINEERING CORP. Any use or reproduction, in any form, without prior written permission of Banner is prohibited. © 2015 Banner Engineering Corp.



BANNER ENGINEERING CORP.
 www.bannerengineering.com

TITLE
PIT4 SERIES

THIRD ANGLE PROJECTION



SIZE B	DRAWING NO. 192759	REV. A
-----------	------------------------------	------------------

SCALE 5:2	SHEET 1 OF 1
--------------	-----------------