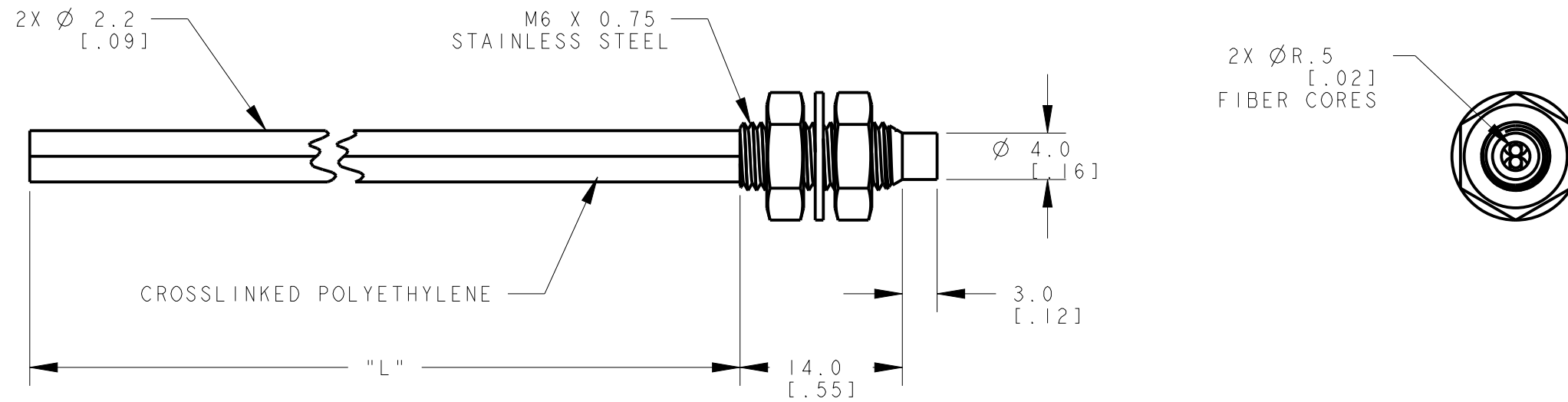


MODEL NO.	"L"	P/N
PBT46UHT1	2000 [79]	42799
PBT415UHT1	4572 [180]	42806
PBT430UHT1	9144 [360]	70736
PBT450UHT1	15240 [600]	65926

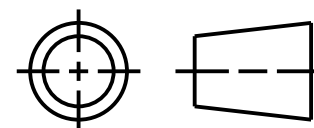
THE MAXIMUM OPERATING TEMPERATURE OF THIS CABLE IS 105°C [221°F].



- NOTES:
1. ALL DIMENSIONS ARE MILLIMETERS [INCHES] UNLESS OTHERWISE NOTED.
 2. REFER TO "www.bannerengineering.com" FOR ADDITIONAL DATA AND SPECIFICATIONS.

This drawing is the property of BANNER ENGINEERING CORP. Any use or reproduction, in any form, without prior written permission of Banner is prohibited. © 2015 Banner Engineering Corp.

THIRD ANGLE PROJECTION



BANNER BANNER ENGINEERING CORP.
www.bannerengineering.com

TITLE
PBT4 SERIES UNTERMINATED

SIZE B DRAWING NO. **192752** REV. **A**

SCALE 2:1 SHEET 1 OF 1

CREO