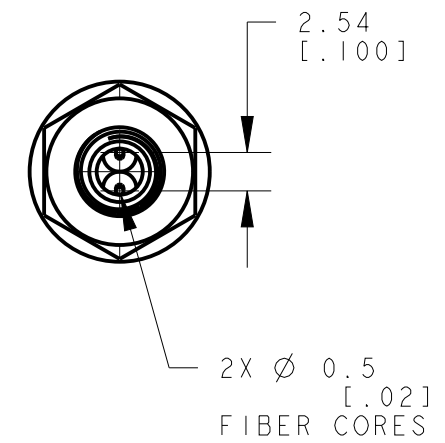
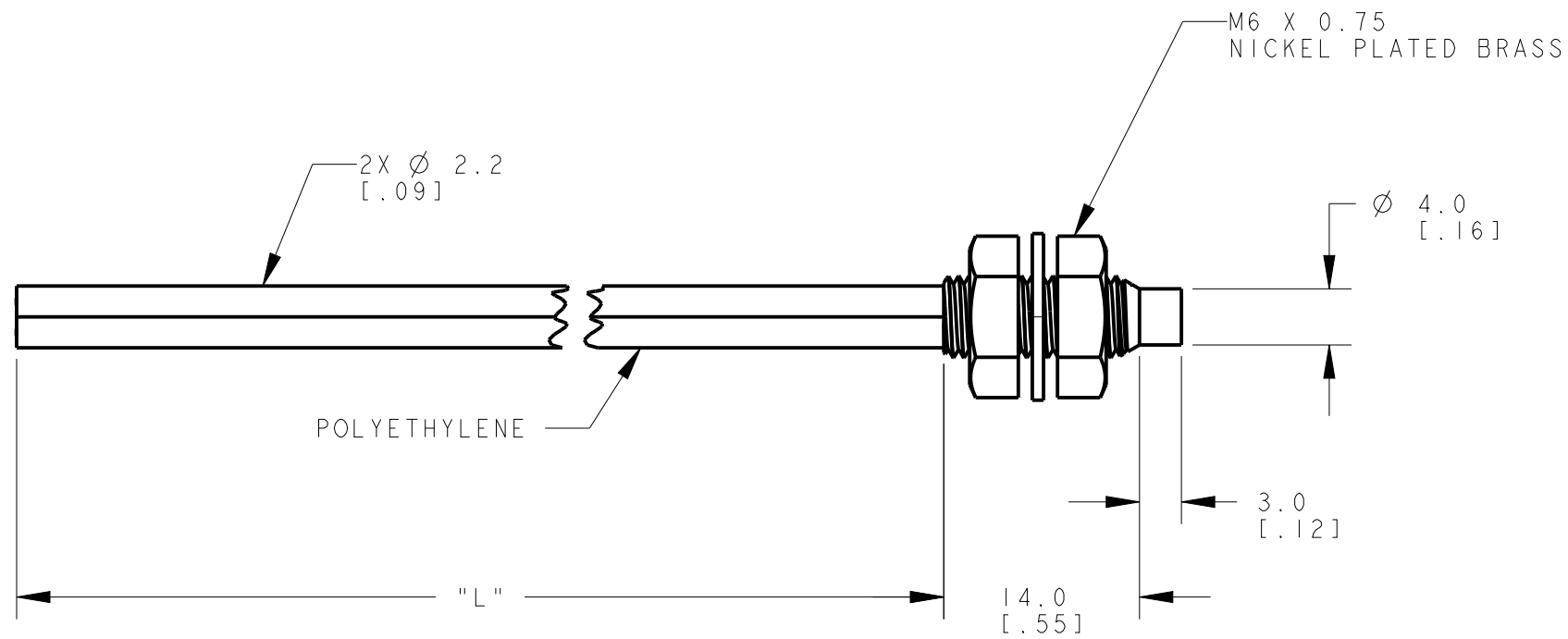


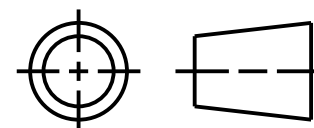
MODEL NO.	"L"	P/N
PBT215UM6M.1	5000 [197]	76003
PBT26UM6M.1	2000 [79]	65942




NOTES:
 1. ALL DIMENSIONS ARE MILLIMETERS [INCHES] UNLESS OTHERWISE NOTED.
 2. REFER TO "www.bannerengineering.com" FOR ADDITIONAL DATA AND SPECIFICATIONS.

This drawing is the property of BANNER ENGINEERING CORP. Any use or reproduction, in any form, without prior written permission of Banner is prohibited. © 2015 Banner Engineering Corp.

THIRD ANGLE PROJECTION



 BANNER ENGINEERING CORP. www.bannerengineering.com		TITLE
		PBT26 SERIES UNTERMINATED
SIZE B	DRAWING NO. 192750	REV. A
SCALE 2:1	SHEET 1 OF 1	

CREO