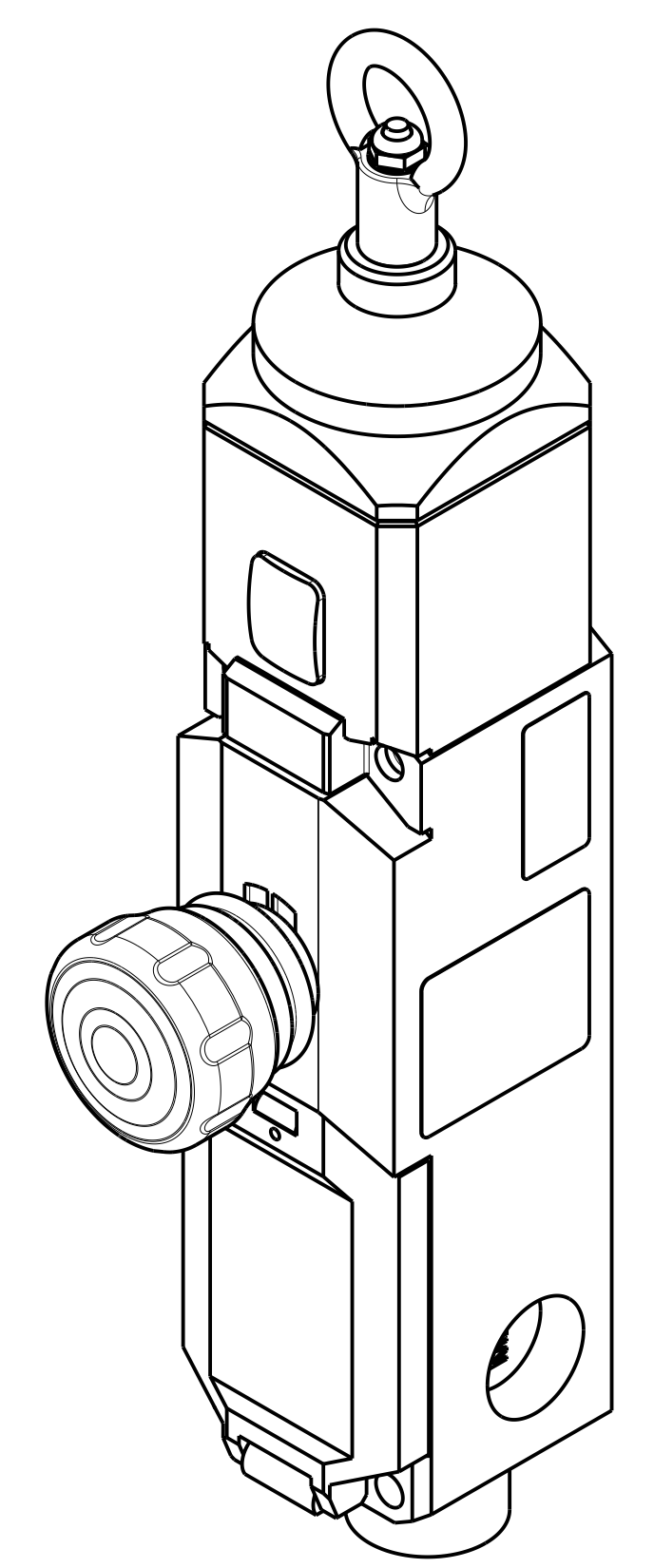
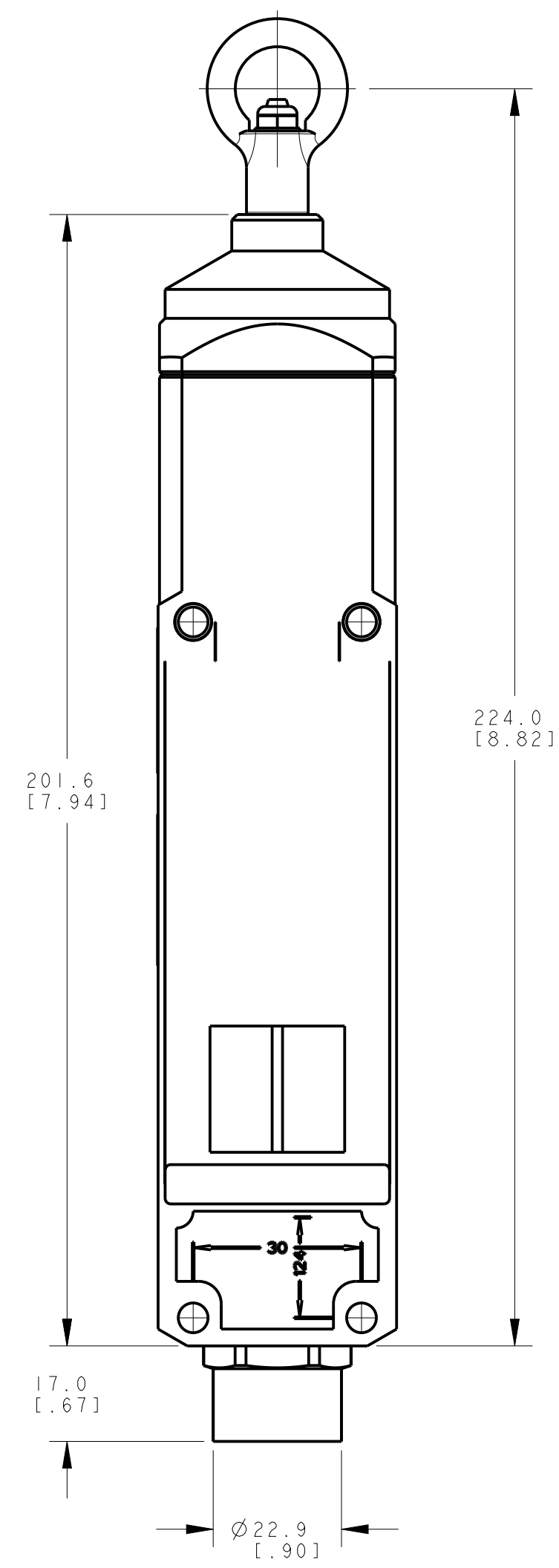
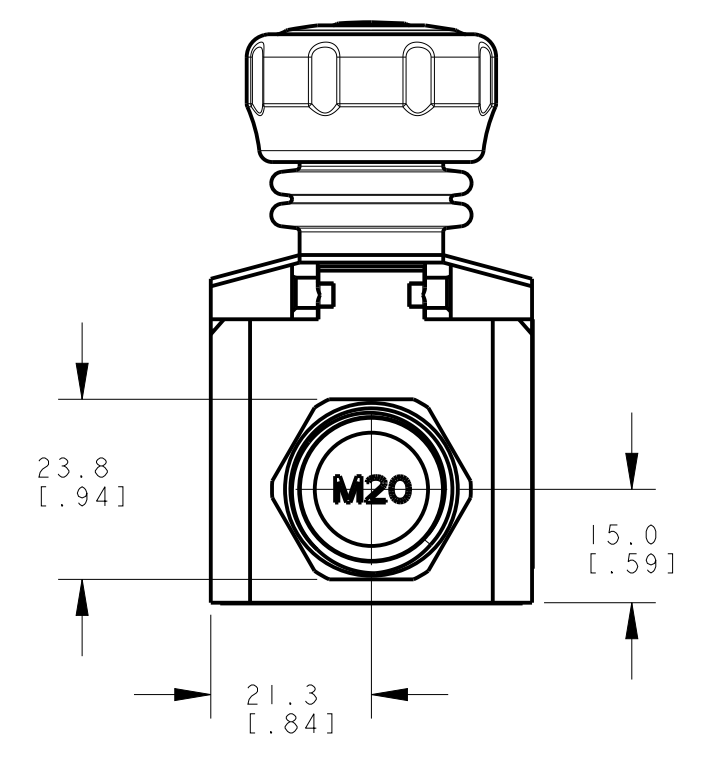
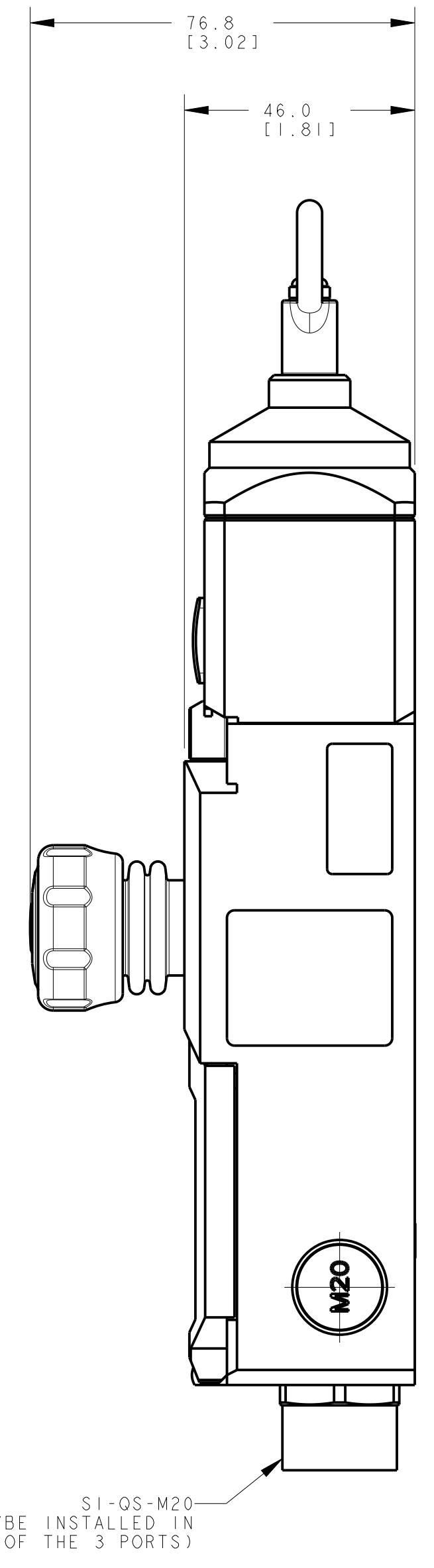
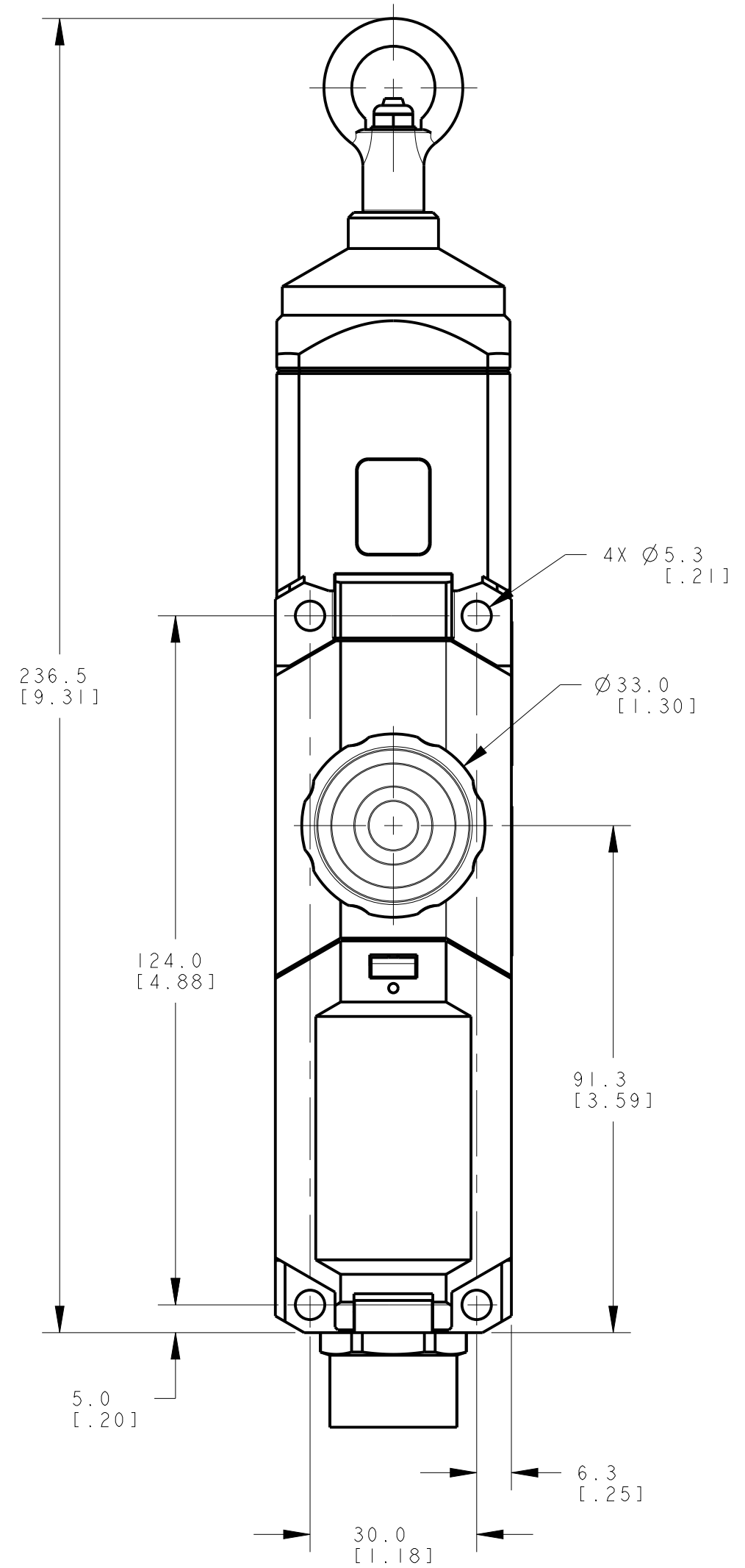
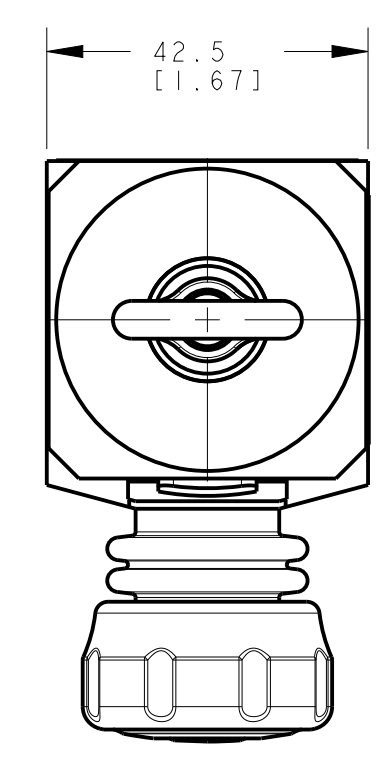
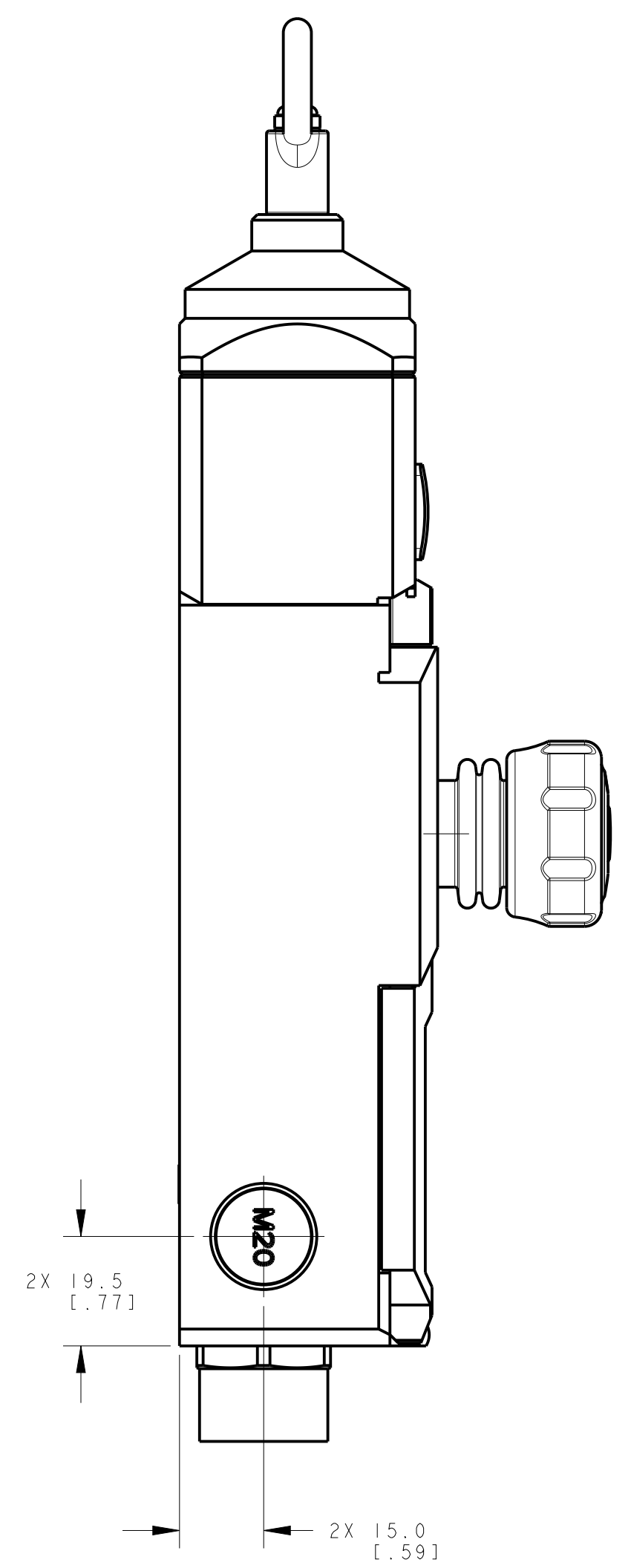


NOTE:
 CONDUIT ADAPTER (SI-QS-M20) SHOWN IN BOTTOM PORT.
 THIS PART MAY BE INSTALLED IN THE PORTS ON EITHER SIDE OF THE SWITCH ALSO.



NOTES:
 1. ALL DIMENSIONS ARE MILLIMETERS [INCHES] UNLESS OTHERWISE NOTED.
 2. REFER TO "www.bannerengineering.com" FOR ADDITIONAL DATA AND SPECIFICATIONS.

This drawing is the property of BANNER ENGINEERING CORP. Any use or reproduction, in any form, without prior written permission of Banner is prohibited. © 2015 Banner Engineering Corp.

BANNER BANNER ENGINEERING CORP.
 www.bannerengineering.com

TITLE: **RP-LS42L SERIES**

THIRD ANGLE PROJECTION

SIZE: D	DRAWING NO. 192599	REV: A
SCALE: 1:1	SHEET 1 OF 1	

CREO