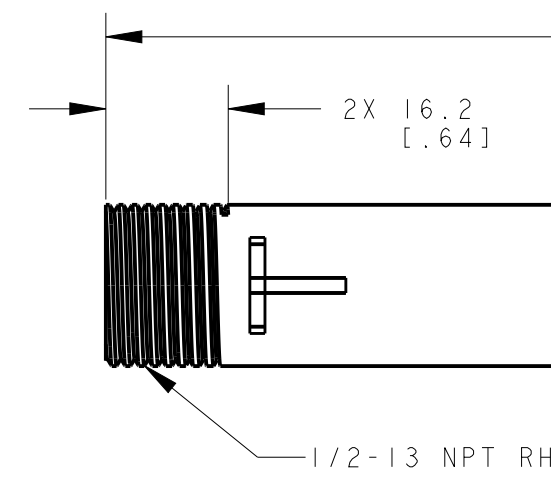
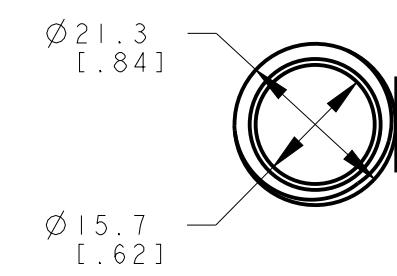


ISOMETRIC VIEW
SCALE 1:1



1/2-13 NPT RH

914.4
[36.00]

1/2-13 NPT LH

NOTES:
1. ALL DIMENSIONS ARE MILLIMETERS [INCHES] UNLESS OTHERWISE NOTED.
2. REFER TO "www.bonnerengineering.com" FOR ADDITIONAL DATA AND SPECIFICATIONS.

<small>This drawing is the property of BANNER ENGINEERING CORP. Any use or reproduction, in any form, without prior written permission of Banner is prohibited. © 2015 Banner Engineering Corp.</small>		BANNER BANNER ENGINEERING CORP. www.bonnerengineering.com	
TITLE SOP-E12-900AC WEB CAD DRAWINGS 2D/3D			
SIZE E	DRAWING NO. 192281	REV. A	SHEET 1 OF 1
SCALE 1:1	THIRD ANGLE PROJECTION		