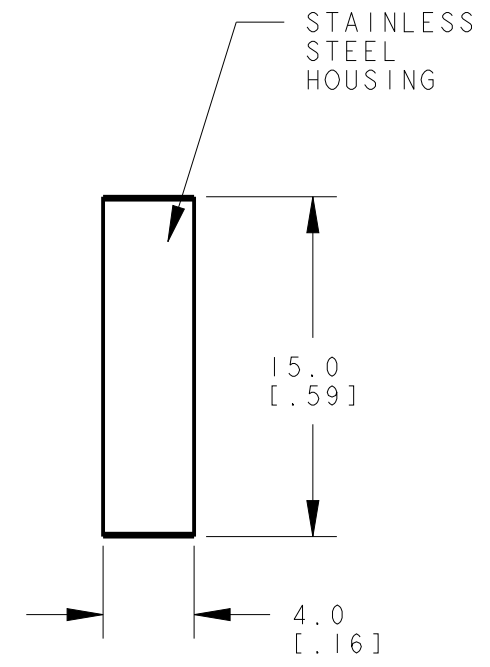
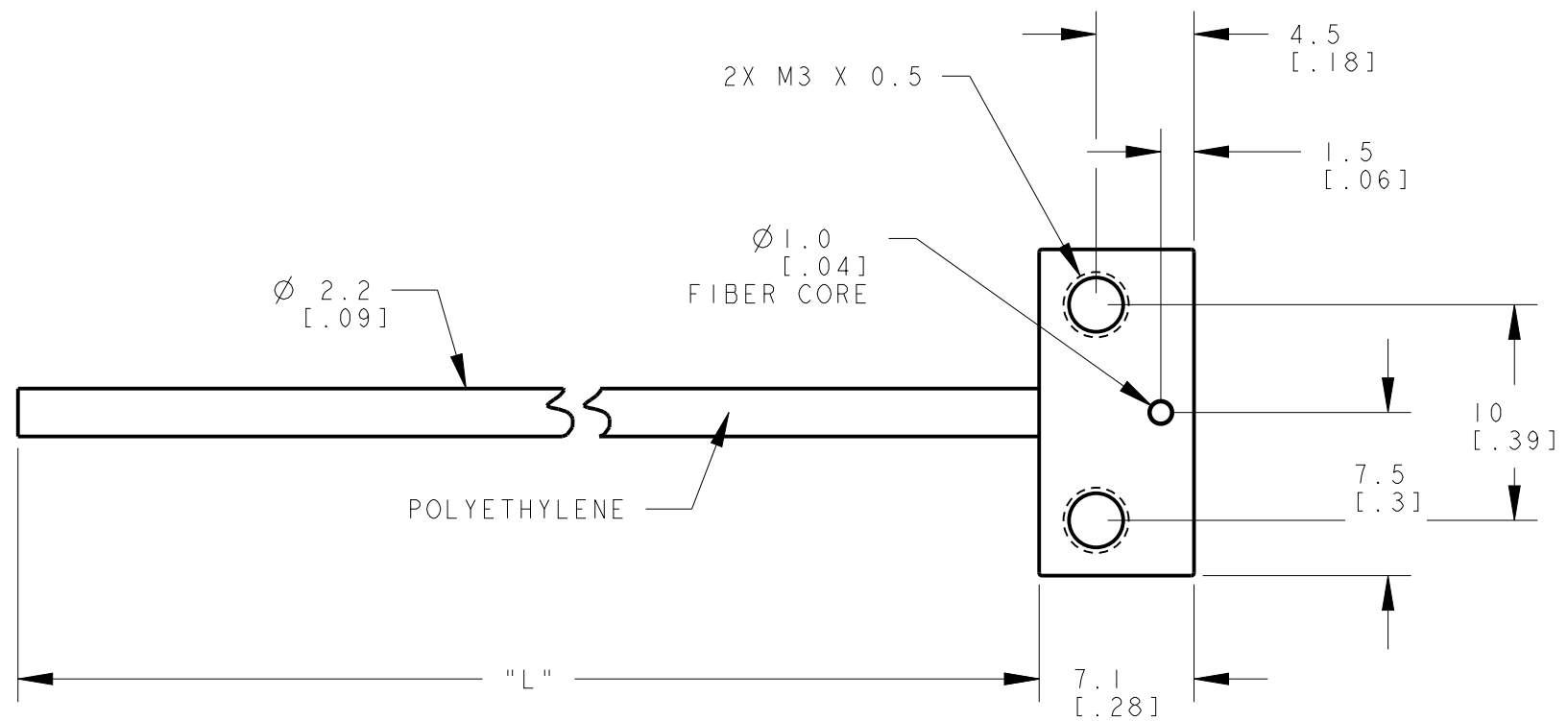


MODEL NO.	"L"	P/N
PIA415UHFM15X7	5000 [197]	95681
PIA46UHFM15X7	2000 [79]	81831

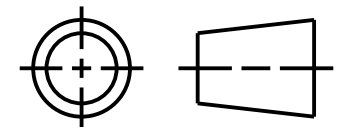
SUFFIX 'HF' DENOTES HIGH-FLEX FIBER CABLE - VERY SMALL BEND RADIUS PERMISSIBLE BEFORE TRANSMISSION LOSS.



NOTES:  
 1. ALL DIMENSIONS ARE MILLIMETERS [INCHES] UNLESS OTHERWISE NOTED.  
 2. REFER TO "www.bannerengineering.com" FOR ADDITIONAL DATA AND SPECIFICATIONS.

This drawing is the property of BANNER ENGINEERING CORP. Any use or reproduction, in any form, without prior written permission of Banner is prohibited. © 2015 Banner Engineering Corp.

THIRD ANGLE PROJECTION



**BANNER** BANNER ENGINEERING CORP.  
 www.bannerengineering.com

TITLE  
**PIA4 SERIES HIGH FLEX UNTERMINATED**

SIZE B DRAWING NO. **188743** REV. **A**

SCALE 3:1 SHEET 1 OF 1

CREO