

8 | 7 | 6 | 5 | 4 | 3 | 2 | 1



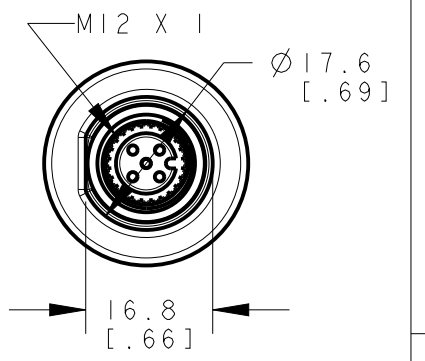
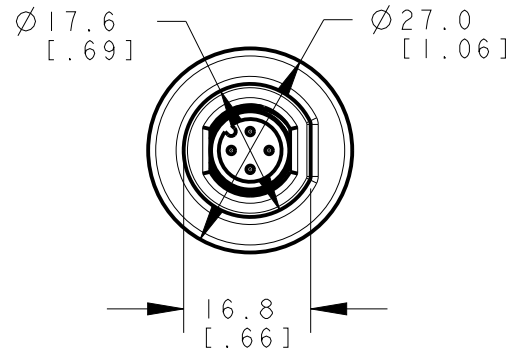
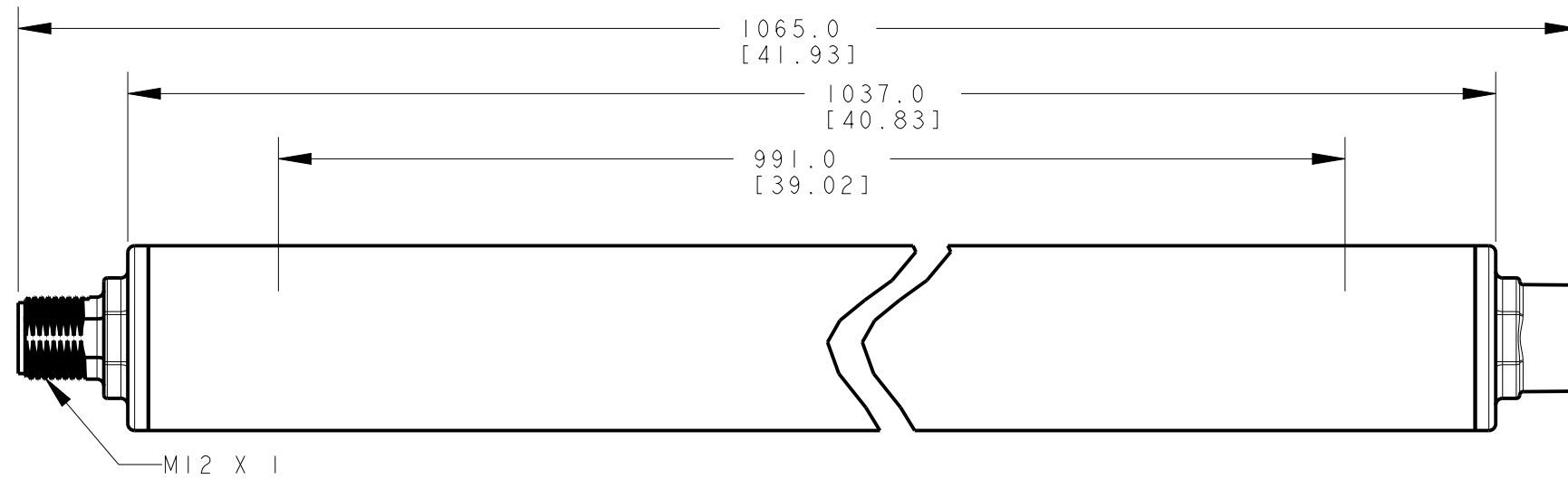
ISOMETRIC VIEW
SCALE 2:5

D | D

C | C

B | B

A | A

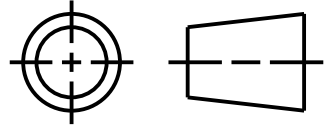


This drawing is the property of BANNER ENGINEERING CORP. Any use or reproduction, in any form, without prior written permission of Banner is prohibited. © 2015 Banner Engineering Corp.



BANNER ENGINEERING CORP.
www.bannerengineering.com

THIRD ANGLE PROJECTION



TITLE

WLS27C_990SO

| | | |
|-----------|-----------------------|-----------|
| SIZE B | DRAWING NO. 185302 | REV. C |
|-----------|-----------------------|-----------|

| | |
|--------------|-----------------|
| SCALE 1:1 | SHEET 1 OF 1 |
|--------------|-----------------|

NOTES:
1. ALL DIMENSIONS ARE MILLIMETERS [INCHES] UNLESS OTHERWISE NOTED.
2. REFER TO "www.bannerengineering.com" FOR ADDITIONAL DATA AND SPECIFICATIONS.

8 | 7 | 6 | 5 | 4 | 3 | 2 | 1

CREO