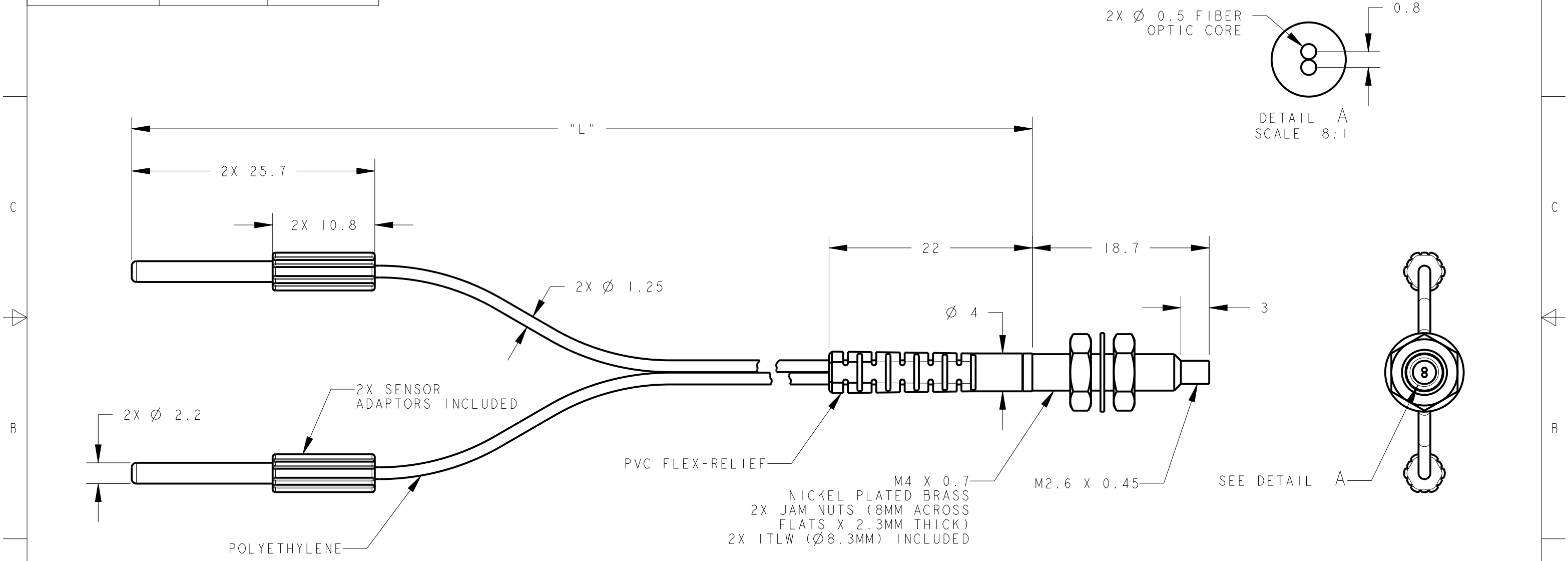
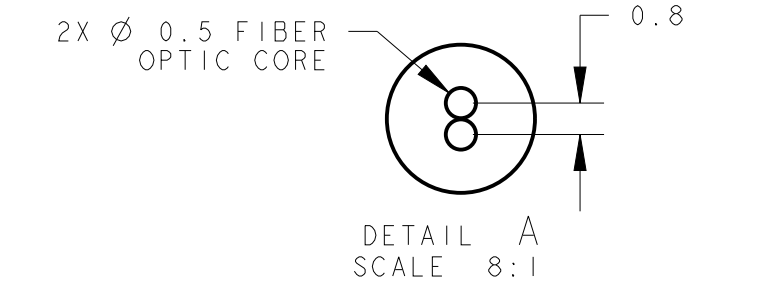


8	7	6	5	4	3	2	1
MODEL NO.	"L"	P/N					
PBT26UM4-VL	2000	87519					
PBT23UM4-VL	1000	87518					

NOTES:
 1. OPERATING TEMPERATURE -55°C ~ +70°C.
 2. MINIMUM BEND RADIUS R15.

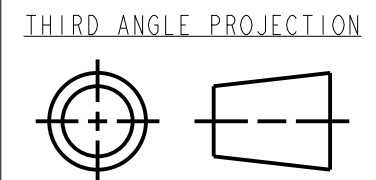


NOTES:
 1. ALL DIMENSIONS ARE MILLIMETERS [INCHES] UNLESS OTHERWISE NOTED.
 2. REFER TO "www.bannerengineering.com" FOR ADDITIONAL DATA AND SPECIFICATIONS.

This drawing is the property of BANNER ENGINEERING CORP. Any use or reproduction, in any form, without prior written permission of Banner is prohibited.
 © 2015 Banner Engineering Corp.

BANNER BANNER ENGINEERING CORP.
 www.bannerengineering.com

TITLE
PBT2 M4 VALUE LINE SERIES UNTERMINATED



SIZE B	DRAWING NO. 178357	REV. B
SCALE 5:2	SHEET 1 OF 1	

CREO