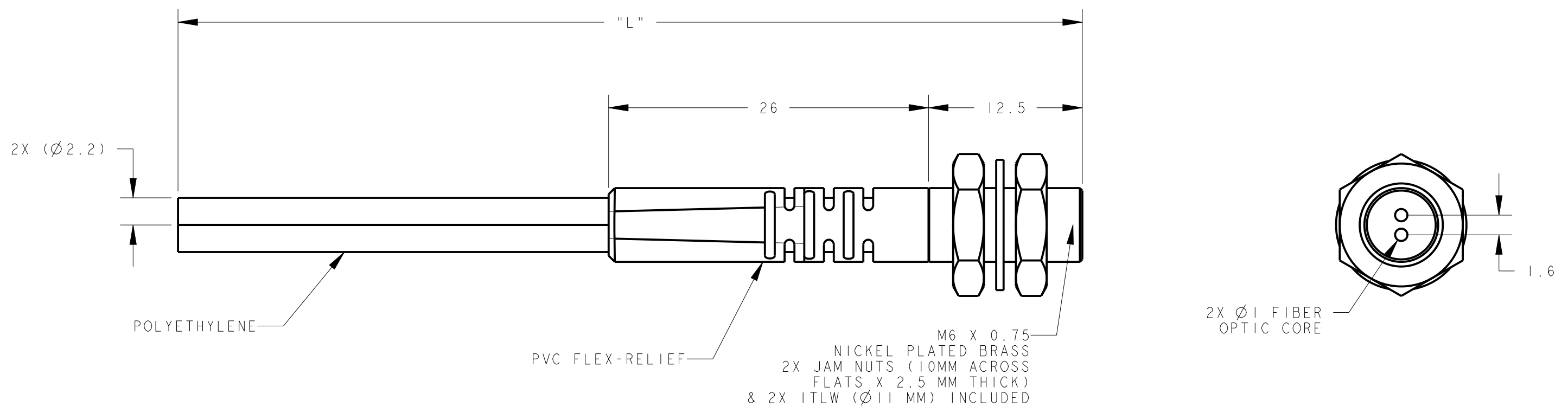


8	7	6	5	4	3	2	1
MODEL NO.	"L"	P/N					
PBT46U-VL	2000	87514					
PBT43U-VL	1000	87513					

NOTES:

1. OPERATING TEMPERATURE -55°C ~ +70°C.
2. MINIMUM BEND RADIUS R25.



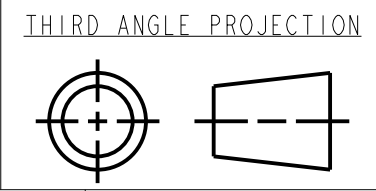
M6 X 0.75
NICKEL PLATED BRASS
2X JAM NUTS (10MM ACROSS
FLATS X 2.5 MM THICK)
& 2X ITLW (Ø11 MM) INCLUDED

This drawing is the property of BANNER ENGINEERING CORP. Any use or reproduction, in any form, without prior written permission of Banner is prohibited.
© 2015 Banner Engineering Corp.

BANNER BANNER ENGINEERING CORP.
www.bannerengineering.com

TITLE
PBT4 VALUE LINE SERIES UNTERMINATED

SIZE B DRAWING NO. **178356** REV. **B**
SCALE 3:1 SHEET 1 OF 1



- NOTES:**
1. ALL DIMENSIONS ARE MILLIMETERS [INCHES] UNLESS OTHERWISE NOTED.
 2. REFER TO "www.bannerengineering.com" FOR ADDITIONAL DATA AND SPECIFICATIONS.