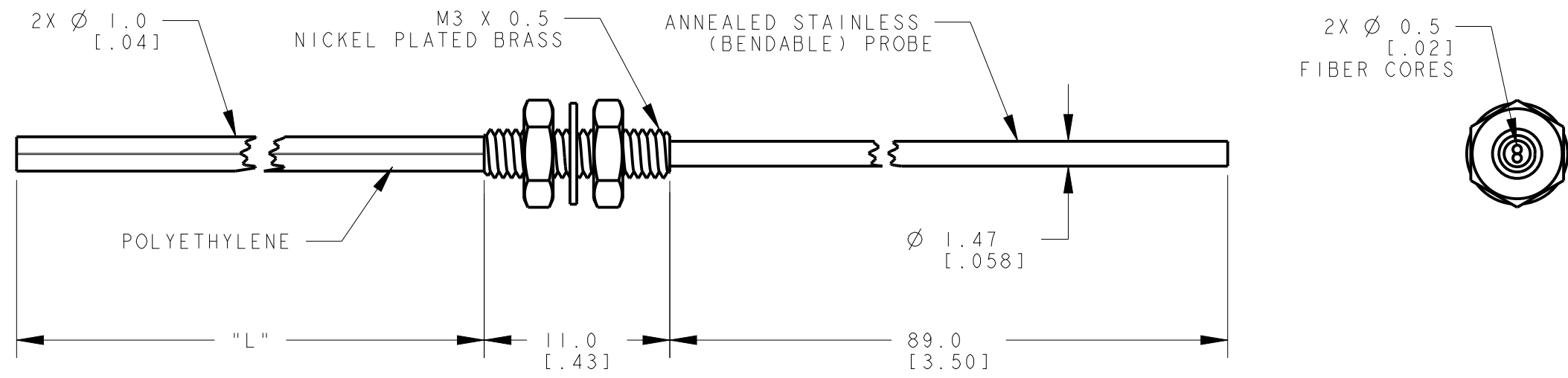


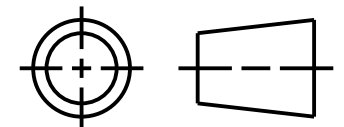
MODEL NO.	"L"	"TL"	P/N
PBP250U	15240 [600]	89 [3.5]	31507
PBP215U	4572 [180]	89 [3.5]	21192
PBP26U	2000 [79]	89 [3.5]	26082




NOTES:
 1. ALL DIMENSIONS ARE MILLIMETERS [INCHES] UNLESS OTHERWISE NOTED.
 2. REFER TO "www.bannerengineering.com" FOR ADDITIONAL DATA AND SPECIFICATIONS.

This drawing is the property of BANNER ENGINEERING CORP. Any use or reproduction, in any form, without prior written permission of Banner is prohibited.
 © 2015 Banner Engineering Corp.

THIRD ANGLE PROJECTION



 BANNER ENGINEERING CORP. www.bannerengineering.com		TITLE
		PBP2 SERIES UNTERMINATED
SIZE B	DRAWING NO. 176180	REV. A
SCALE 3:1	SHEET 1 OF 1	

CREO