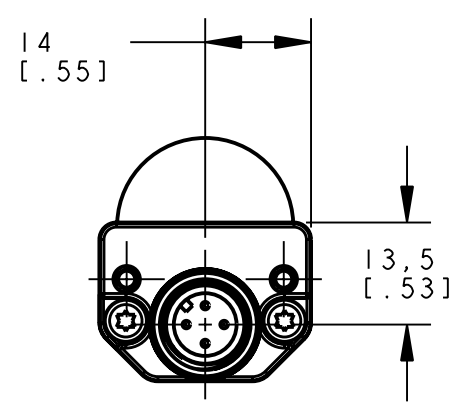
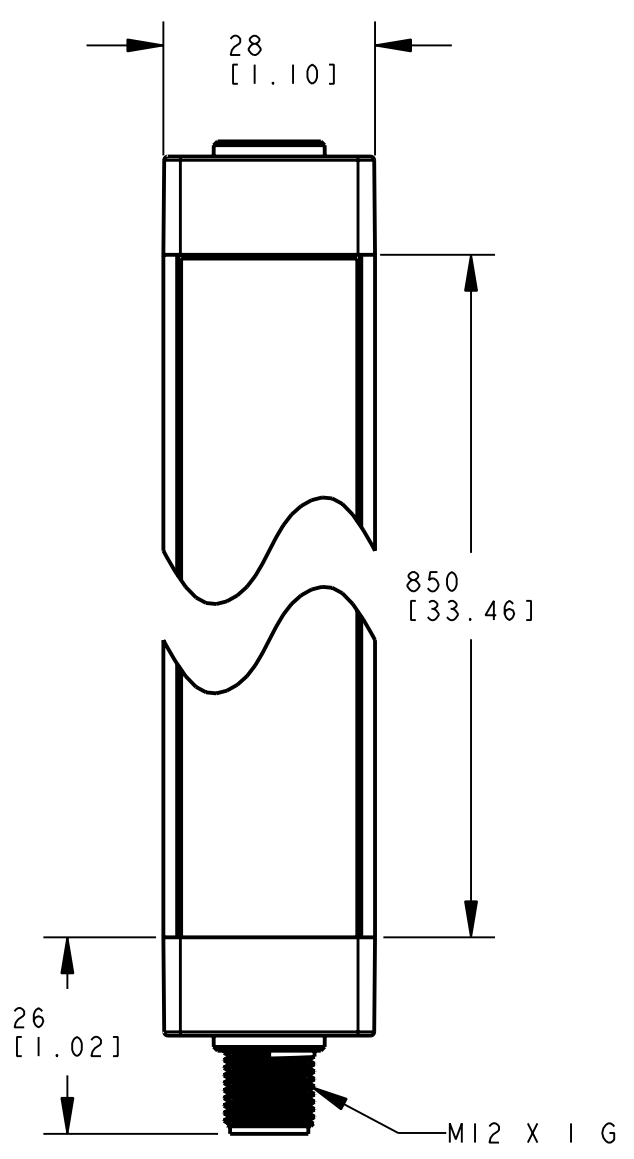
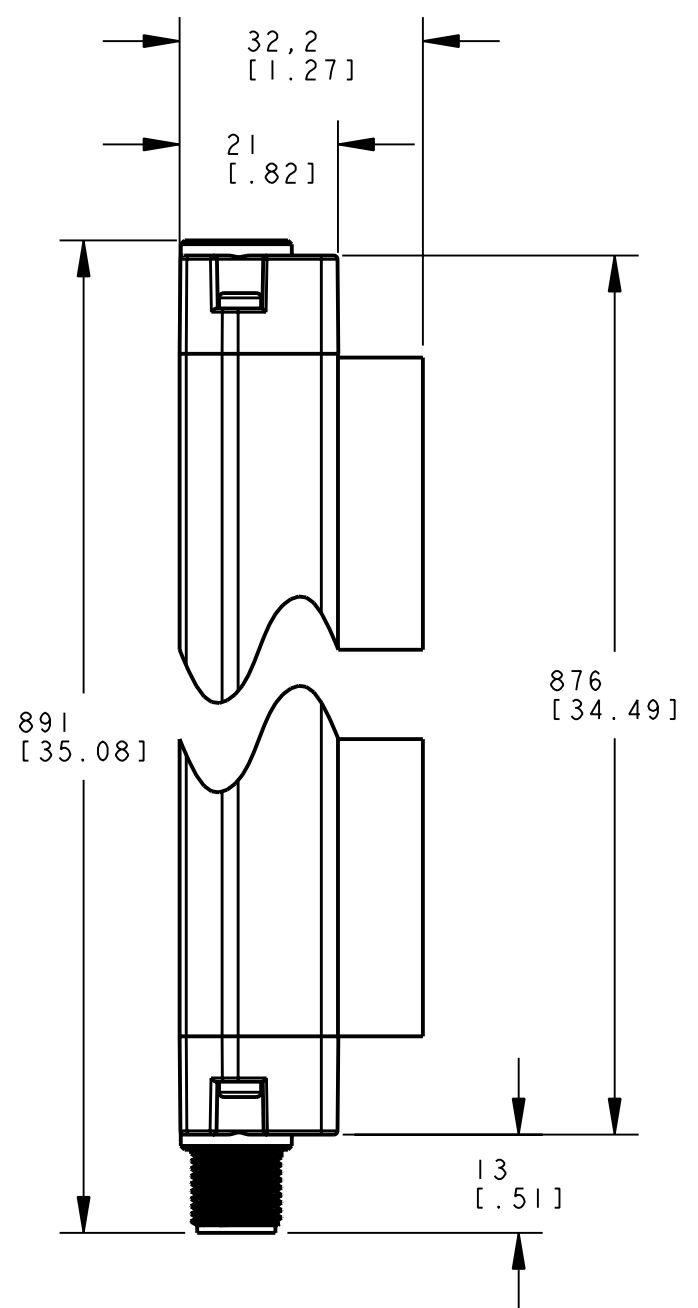


ISOMETRIC VIEW  
SCALE 1:4



NOTES:  
1. ALL DIMENSIONS ARE MILLIMETERS [INCHES] UNLESS OTHERWISE NOTED.

This drawing is the property of BANNER ENGINEERING CORP. and is proprietary in general and in detail. Its contents shall not be revealed to outside parties without written consent of BANNER.

THIRD ANGLE PROJECTION

		BANNER ENGINEERING CORP. P.O. BOX 9414 MINNEAPOLIS, MN 55440	
TITLE <b>WLS28X850XL250</b> <b>WEB CAD DRAWINGS 2D/3D</b>			
SIZE C	DRAWING NO. <b>167017</b>	REV. <b>A</b>	
SCALE 1:1		SHEET 1 OF 1	