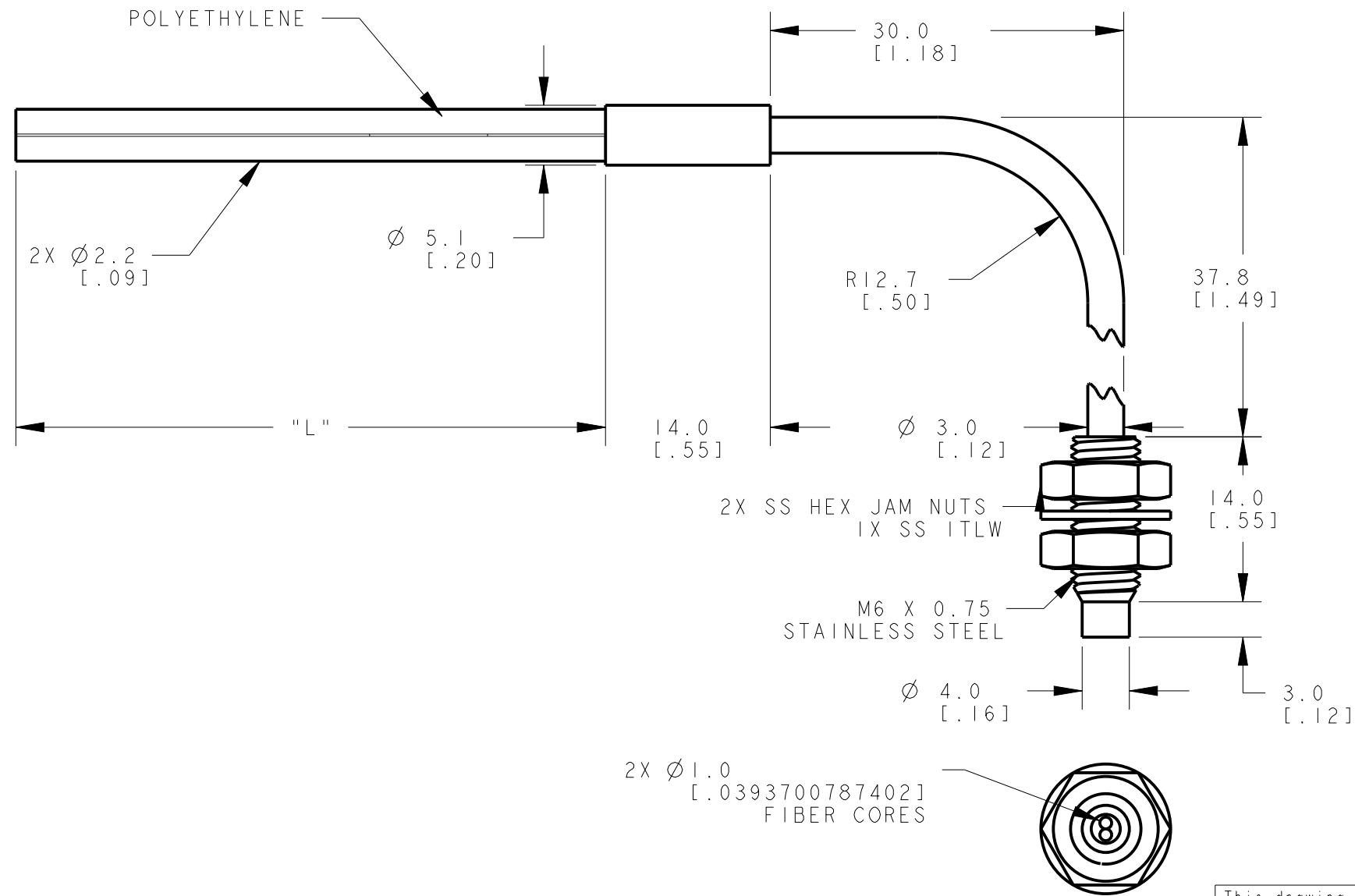


MODEL NO.	"L"	"HL"	"VL"	P/N
PBAT415U	4572 [180]	25 [1.0]	16.5 [.65]	42849
PBAT46U	2000 [79]	25 [1.0]	16.5 [.65]	42843



NOTES:
 1. ALL DIMENSIONS ARE MILLIMETERS [INCHES] UNLESS OTHERWISE NOTED.
 2. REFER TO "www.bannerengineering.com" FOR ADDITIONAL DATA AND SPECIFICATIONS.

This drawing is the property of BANNER ENGINEERING CORP. Any use or reproduction, in any form, without prior written permission of Banner is prohibited.
 © 2015 Banner Engineering Corp.

BANNER BANNER ENGINEERING CORP.
 www.bannerengineering.com

TITLE
PBAT4 SERIES UNTERMINATED

SIZE B DRAWING NO. **166419** REV. **A**

SCALE 2:1 SHEET 1 OF 1

THIRD ANGLE PROJECTION

