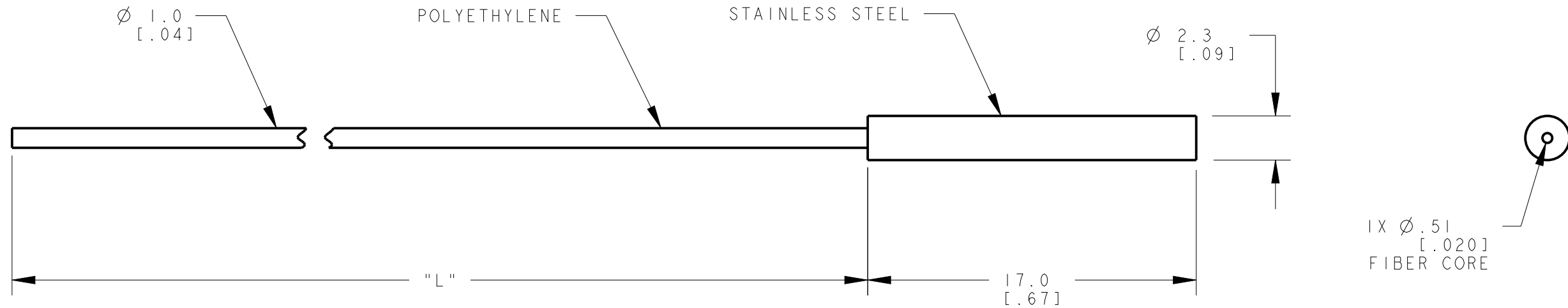


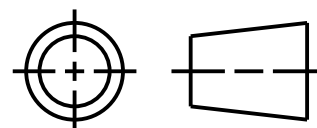
MODEL NO.	"L"	P/N
PIF215U	4572 [180]	71405
PIF26U	2000 [79]	27367




NOTES:
 1. ALL DIMENSIONS ARE MILLIMETERS [INCHES] UNLESS OTHERWISE NOTED.
 2. REFER TO "www.bannerengineering.com" FOR ADDITIONAL DATA AND SPECIFICATIONS.

This drawing is the property of BANNER ENGINEERING CORP. Any use or reproduction, in any form, without prior written permission of Banner is prohibited. © 2015 Banner Engineering Corp.

THIRD ANGLE PROJECTION



 BANNER ENGINEERING CORP. www.bannerengineering.com		
TITLE		
PIF2 SERIES UNTERMINATED		
SIZE B	DRAWING NO. 166416	REV. A
SCALE 4:1	SHEET 1 OF 1	

CREO