

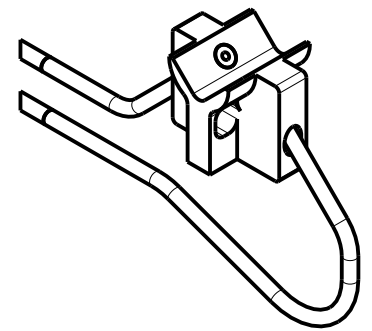
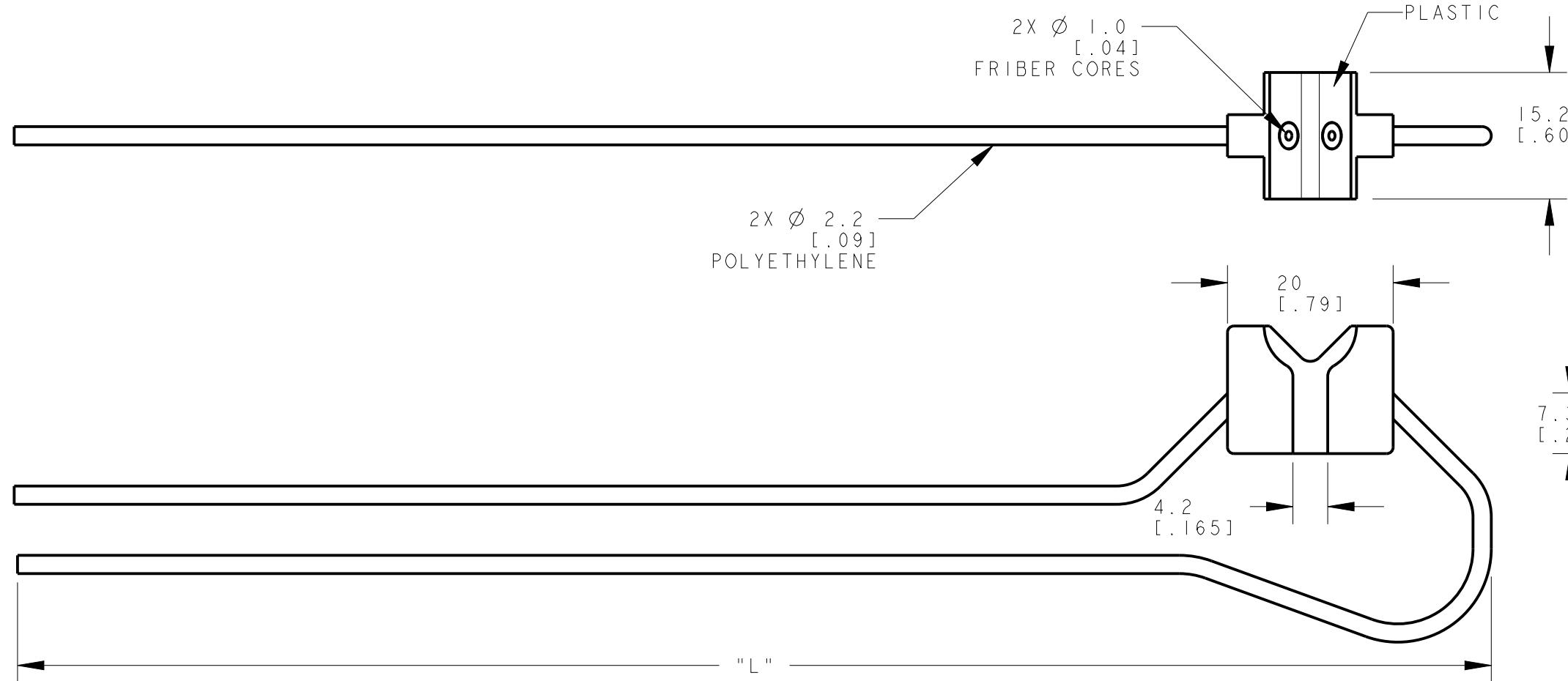
8	7	6	5	4	3	2	1
MODEL NO.	"L"	P/N	NOTE: THIS LIQUID LEVEL DETECTION (LLD) FIBER OPTIC ASSEMBLY CAN BE USED WITH THE FOLLOWING SIZE TRANSPARENT TUBES: Ø2mm TO Ø25mm (WHEN USED WITH D10E/D12E/D11E SERIES AMPLIFIER)				
PDI415U-LLD	4572 [180]	65936					
PDI46U-LLD	2000 [79]	61240					

D

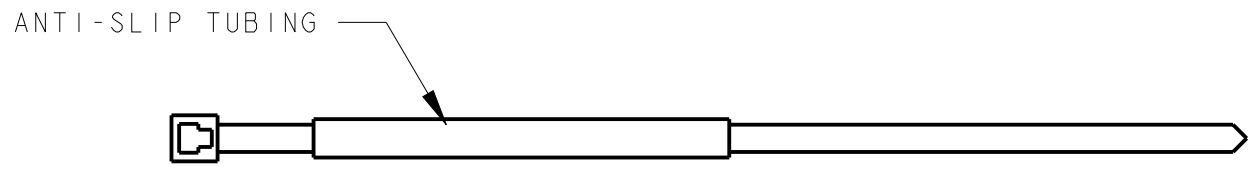
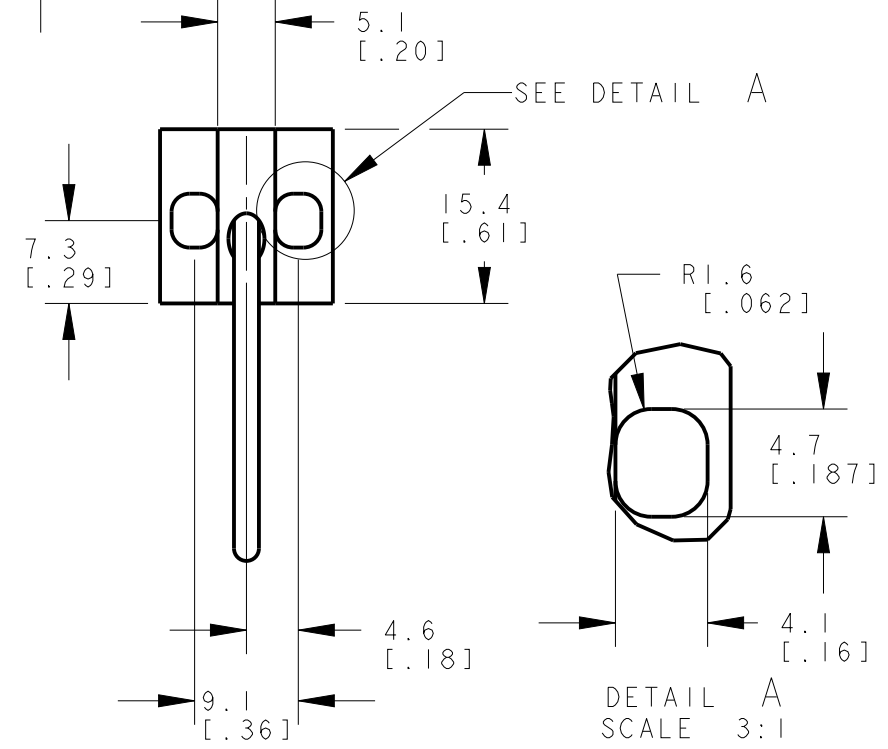
C

B

A



ISOMETRIC VIEW  
SCALE 1:1



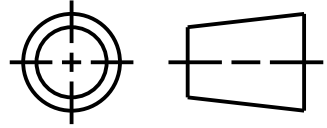
NOTES:  
1. ALL DIMENSIONS ARE MILLIMETERS [INCHES] UNLESS OTHERWISE NOTED.  
2. REFER TO "www.bannerengineering.com" FOR ADDITIONAL DATA AND SPECIFICATIONS.

This drawing is the property of BANNER ENGINEERING CORP. Any use or reproduction, in any form, without prior written permission of Banner is prohibited. © 2015 Banner Engineering Corp.



BANNER ENGINEERING CORP.  
www.bannerengineering.com

THIRD ANGLE PROJECTION



TITLE  
**PD14 SERIES LIQUID LEVEL DETECTION UNTERMINATED**

SIZE B DRAWING NO. **166410** REV. **A**

SCALE 3:2 SHEET 1 OF 1

CREO