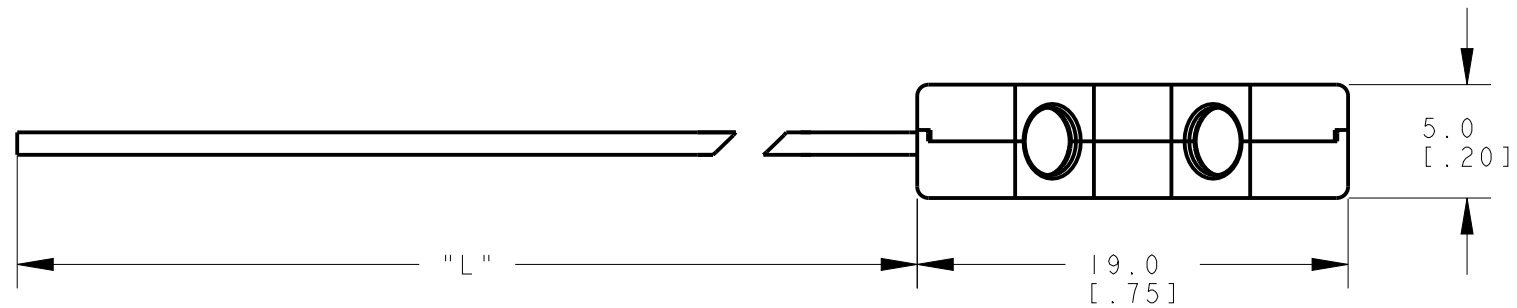
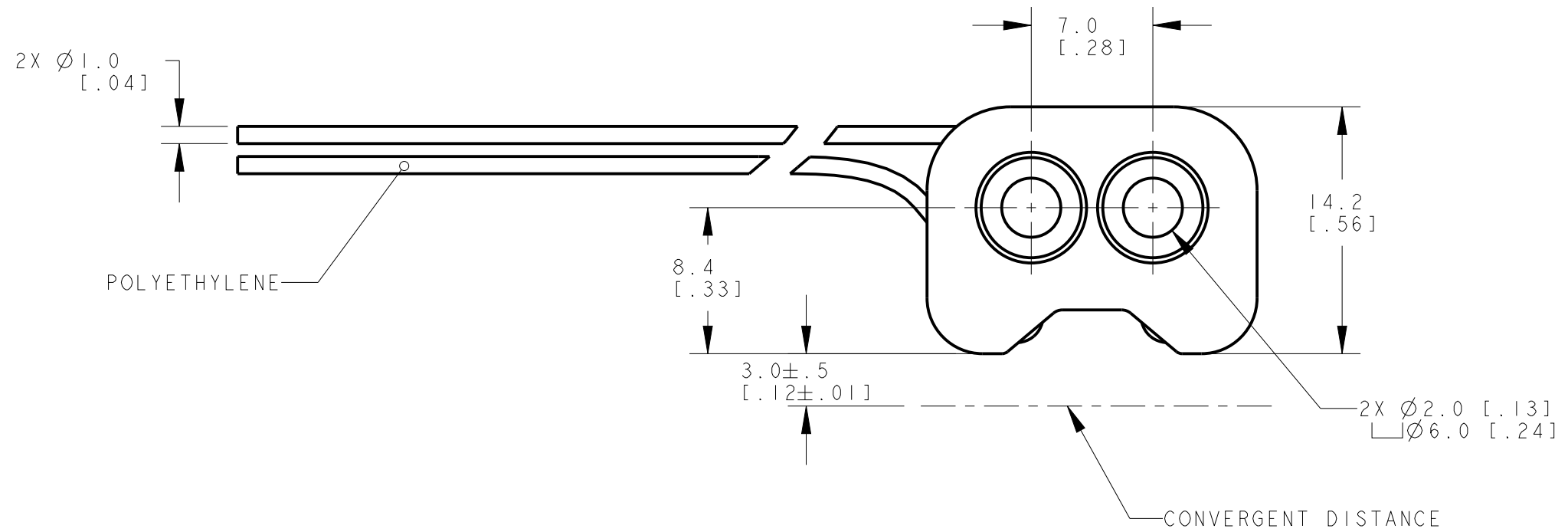
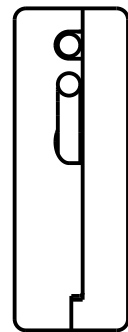


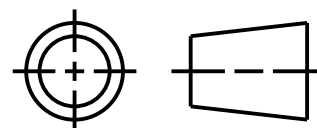
8	7	6	5	4	3	2	1
MODEL NO.	"L"	P/N					
P12-C1-5M	5000	18129					
P12-C1	2000	51832					



NOTES:
 1. ALL DIMENSIONS ARE MILLIMETERS [INCHES] UNLESS OTHERWISE NOTED.
 2. REFER TO "www.bannerengineering.com" FOR ADDITIONAL DATA AND SPECIFICATIONS.

This drawing is the property of BANNER ENGINEERING CORP. Any use or reproduction, in any form, without prior written permission of Banner is prohibited. © 2015 Banner Engineering Corp.

THIRD ANGLE PROJECTION



BANNER ENGINEERING CORP.

www.bannerengineering.com

TITLE

P12-C1 ASSY

SIZE B

DRAWING NO. 166391

REV. A

SCALE 3:1

SHEET 1 OF 1

CREO