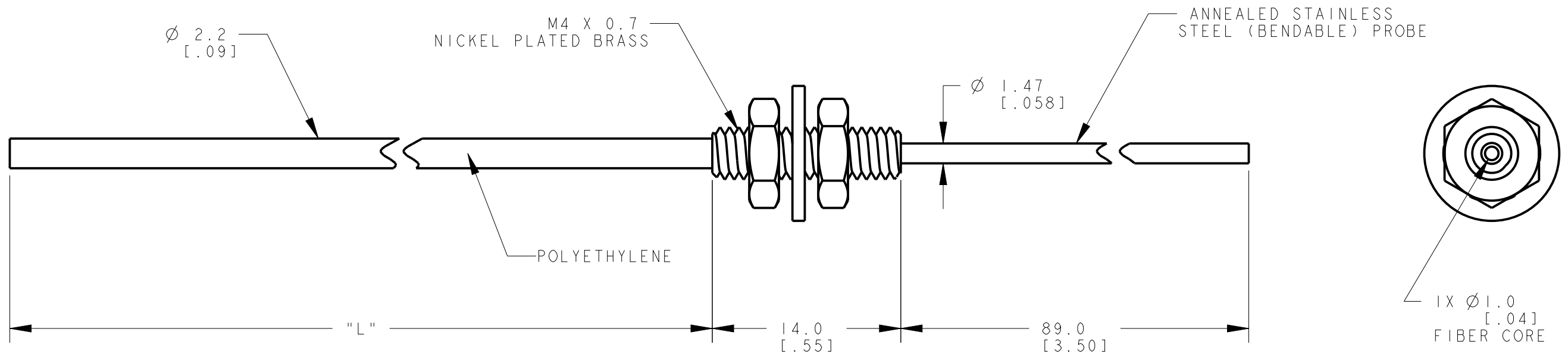


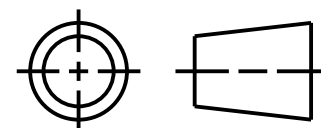
MODEL NO.	"L"	P/N
PIP415UHF	5000 [197]	61226
PIP46UHF	2000 [79]	51787



NOTES:  
 1. ALL DIMENSIONS ARE MILLIMETERS [INCHES] UNLESS OTHERWISE NOTED.  
 2. REFER TO "www.bannerengineering.com" FOR ADDITIONAL DATA AND SPECIFICATIONS.

This drawing is the property of BANNER ENGINEERING CORP. Any use or reproduction, in any form, without prior written permission of Banner is prohibited. © 2015 Banner Engineering Corp.

THIRD ANGLE PROJECTION



		<b>BANNER ENGINEERING CORP.</b> <a href="http://www.bannerengineering.com">www.bannerengineering.com</a>	
TITLE			
<b>PIP 4 SERIES ULTRA HIGH FLEX</b>			
SIZE B	DRAWING NO. <b>166380</b>	REV. <b>A</b>	
SCALE 3:1		SHEET 1 OF 1	

CREO