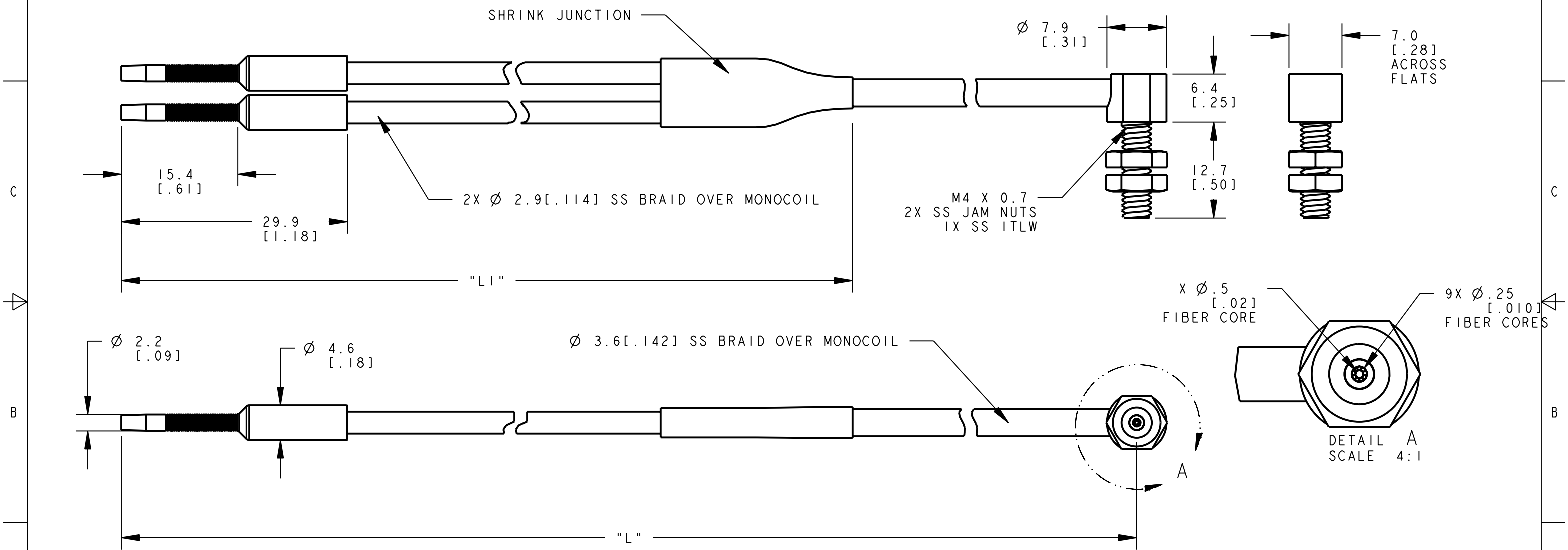


MODEL NO.	"L"	"LI"	P/N
PBCT23TMB5MTA	1000 [39]	191 [7.5]	19717
PBCT26TMB5MTA	2000 [79]	191 [7.5]	81144

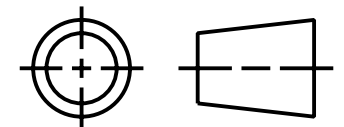


This drawing is the property of BANNER ENGINEERING CORP. and is proprietary in general and in detail. Its contents shall not be revealed to outside parties without written consent of BANNER.



BANNER ENGINEERING CORP.
P.O. BOX 9414
MINNEAPOLIS, MN 55440

THIRD ANGLE PROJECTION



TITLE
PBCT2 SERIES TERMINATED STEEL SKIN TIGHT ANGLE

SIZE B	DRAWING NO. 161906	REV. A
SCALE 2:1		SHEET 1 OF 1

NOTES:
1. ALL DIMENSIONS ARE MILLIMETERS [INCHES] UNLESS OTHERWISE NOTED.