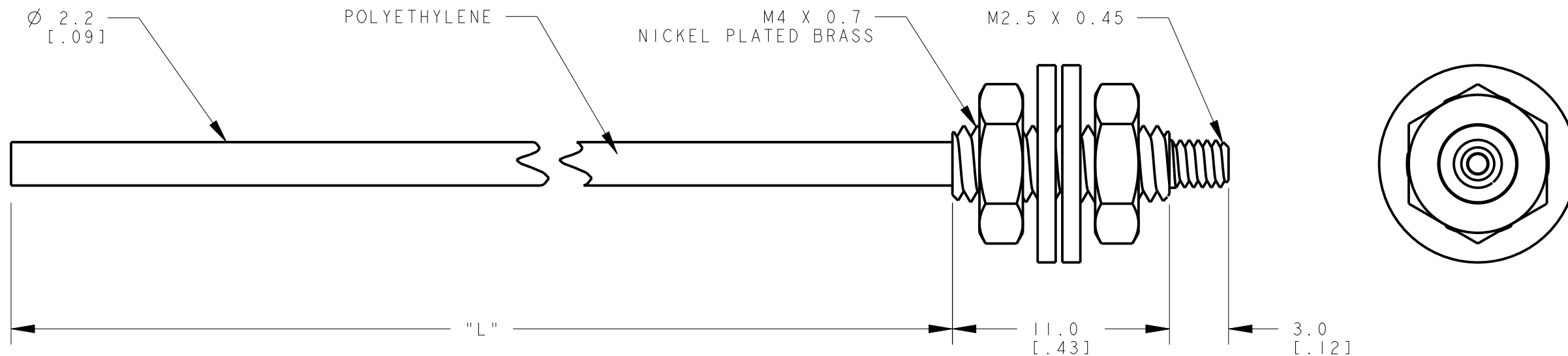


MODEL NO.	"L"	P/N
PIT433U	10058 [396]	70777
PIT43U	1000 [39]	48006
PIT4100U	30480 [1200]	70778
PIT475U	22860 [900]	40400
PIT460U	18288 [720]	27280
PIT430U	9144 [360]	27149
PIT420U	6096 [240]	27555
PIT415U	4572 [180]	27148
PIT410U	3048 [120]	27556
PIT46U	2000 [79]	26034



B RE-DRAWN IN SOLIDWORKS 4-26-02 G. GIBBONS
A SMALL THREAD WAS LISTED AS M2 X 0.45 8-23-95 GRK

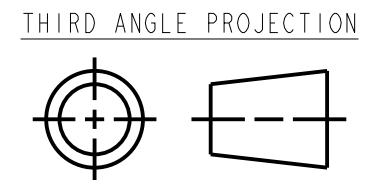
This drawing is the property of BANNER ENGINEERING CORP. Any use or reproduction, in any form, without prior written permission of Banner is prohibited.
© 2015 Banner Engineering Corp.

BANNER BANNER ENGINEERING CORP.
www.bannerengineering.com

TITLE
PIT4 SERIES UNDERMINATED

SIZE B DRAWING NO. **161890** REV. **A**

SCALE 4:1 SHEET 1 OF 1



- NOTES:
1. ALL DIMENSIONS ARE MILLIMETERS [INCHES] UNLESS OTHERWISE NOTED.
2. REFER TO "www.bannerengineering.com" FOR ADDITIONAL DATA AND SPECIFICATIONS.