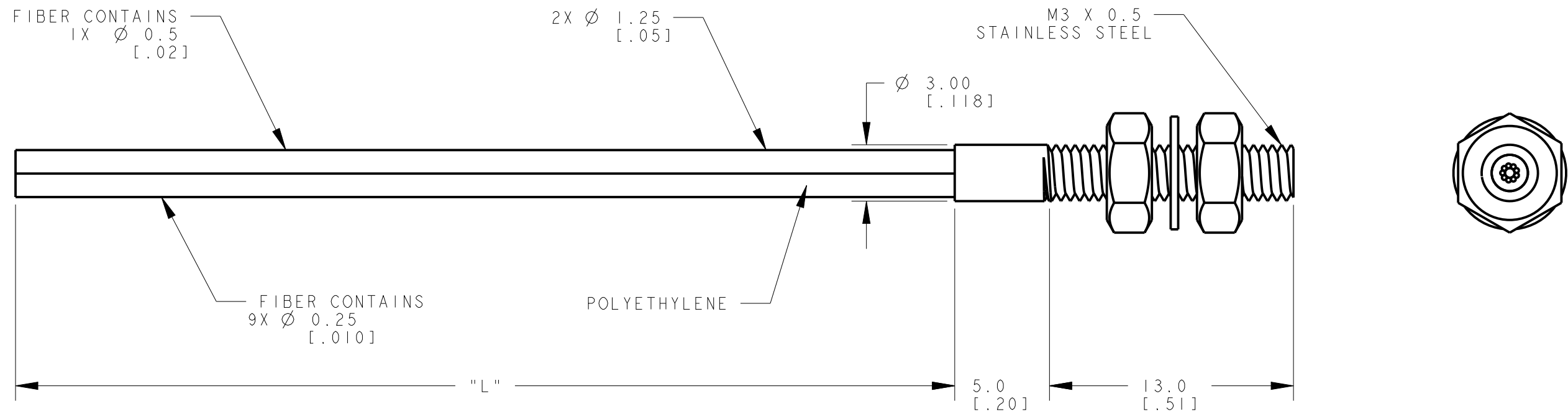


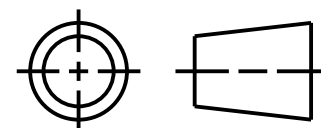
MODEL NO.	"L"	P/N
PBCT215UM3	4572 [180]	68614
PBCT23UM3	1000 [39]	73832
PBCT26UM3	2000 [79]	45090




NOTES:
 1. ALL DIMENSIONS ARE MILLIMETERS [INCHES] UNLESS OTHERWISE NOTED.
 2. REFER TO "www.bannerengineering.com" FOR ADDITIONAL DATA AND SPECIFICATIONS.

This drawing is the property of BANNER ENGINEERING CORP. Any use or reproduction, in any form, without prior written permission of Banner is prohibited. © 2015 Banner Engineering Corp.

THIRD ANGLE PROJECTION



 BANNER ENGINEERING CORP. www.bannerengineering.com		TITLE
		PBCT2 SERIES UTERMINATED M3
SIZE B	DRAWING NO. 161886	REV. A
SCALE 4:1	SHEET 1 OF 1	

CREO