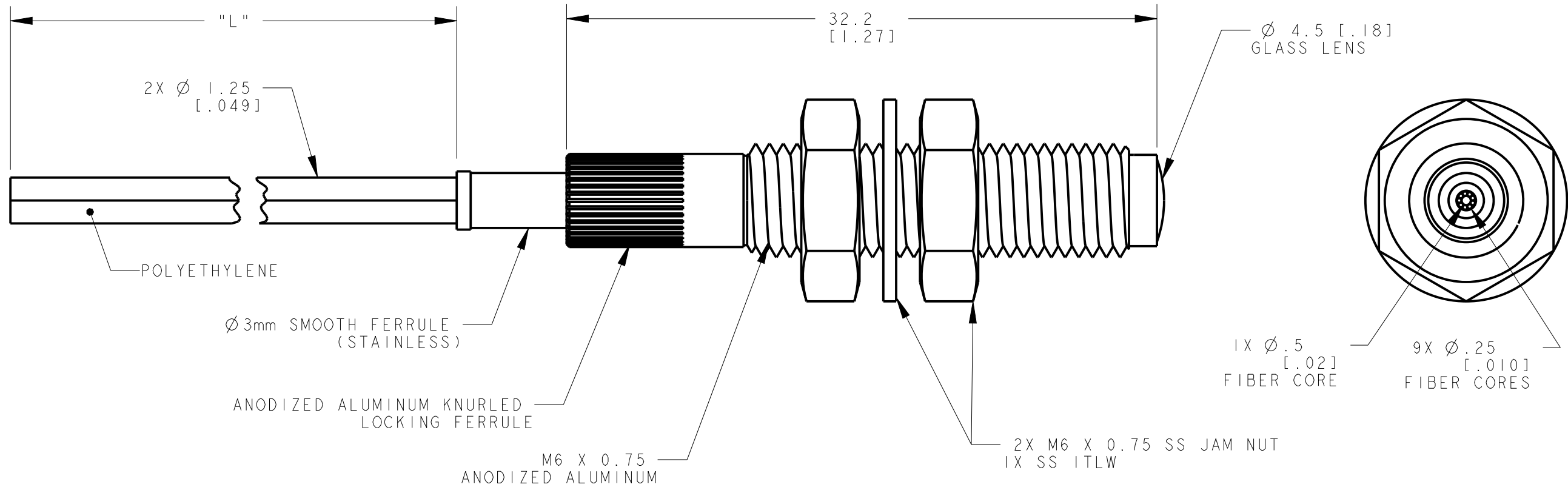


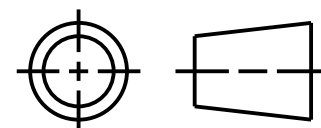
8	7	6	5	4	3	2	1
MODEL NO.	"L"	P/N					
PLI-A10M5	5000 [197]	79350					
PLI-A10	2000 [79]	68639					



NOTES:  
 1. ALL DIMENSIONS ARE MILLIMETERS [INCHES] UNLESS OTHERWISE NOTED.  
 2. REFER TO "www.bannerengineering.com" FOR ADDITIONAL DATA AND SPECIFICATIONS.

This drawing is the property of BANNER ENGINEERING CORP. Any use or reproduction, in any form, without prior written permission of Banner is prohibited. © 2015 Banner Engineering Corp.

THIRD ANGLE PROJECTION



		<b>BANNER ENGINEERING CORP.</b> <a href="http://www.bannerengineering.com">www.bannerengineering.com</a>	
TITLE			
<b>PLI-A10 SERIES</b>			
SIZE	DRAWING NO.	REV.	
B	<b>161881</b>	<b>A</b>	
SCALE	SHEET		CREO
4:1	1 OF 1		