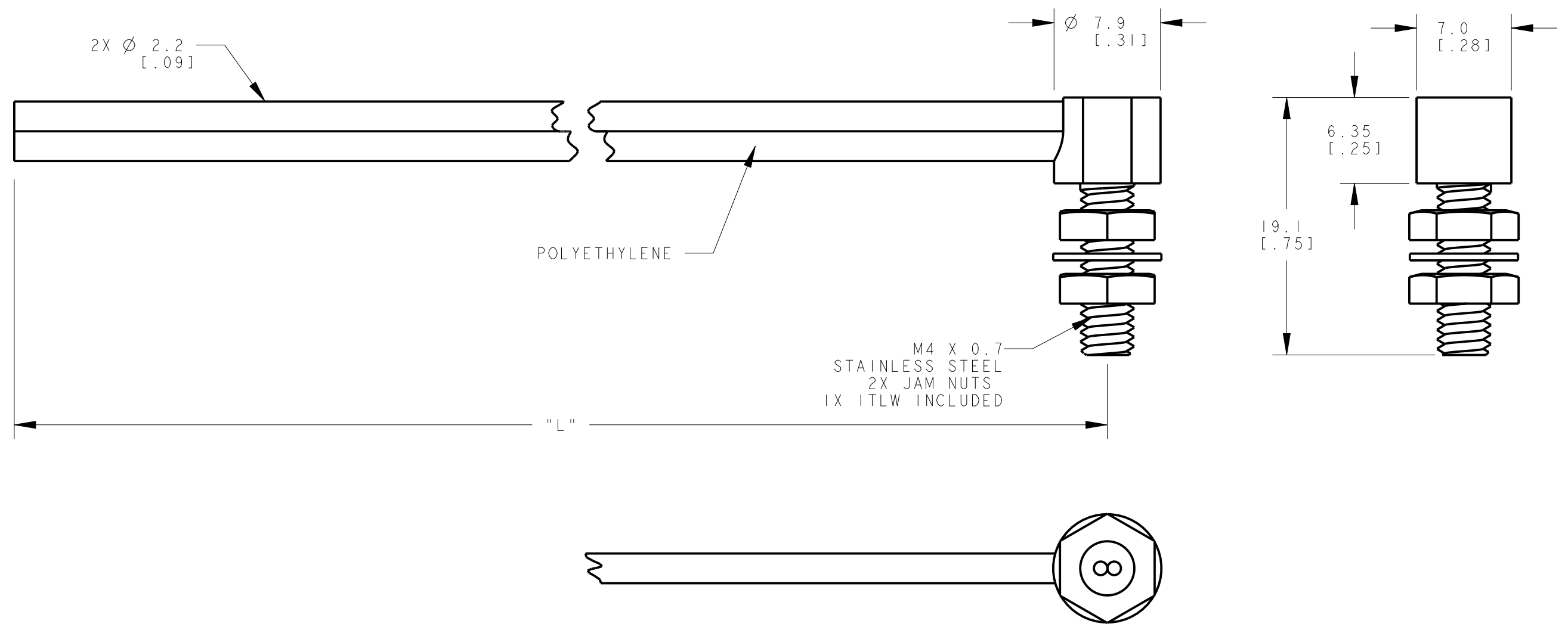


MODEL NO.	"L"	P/N	NOTES:
PBAT46UHFMTA	2000 [79]	83276	1. 'HF' DENOTES HIGH-FLEX FIBER CABLE - VERY SMALL BEND RADIUS PERMISSIBLE BEFORE TRANSMISSION LOSS.
PBAT415UHFMTA	5000 [197]	88604	
PBAT430UHFMTA	10000 [394]	94554	



NOTES:  
 1. ALL DIMENSIONS ARE MILLIMETERS [INCHES] UNLESS OTHERWISE NOTED.  
 2. REFER TO "www.bannerengineering.com" FOR ADDITIONAL DATA AND SPECIFICATIONS.

This drawing is the property of BANNER ENGINEERING CORP. Any use or reproduction, in any form, without prior written permission of Banner is prohibited. © 2015 Banner Engineering Corp.

**BANNER** BANNER ENGINEERING CORP.  
 www.bannerengineering.com

TITLE  
**PBAT4 SERIES UNTERMINATED HF TIGHT ANGLE**

SIZE B DRAWING NO. **161880** REV. **A**

SCALE 3:1 SHEET 1 OF 1 CREO

