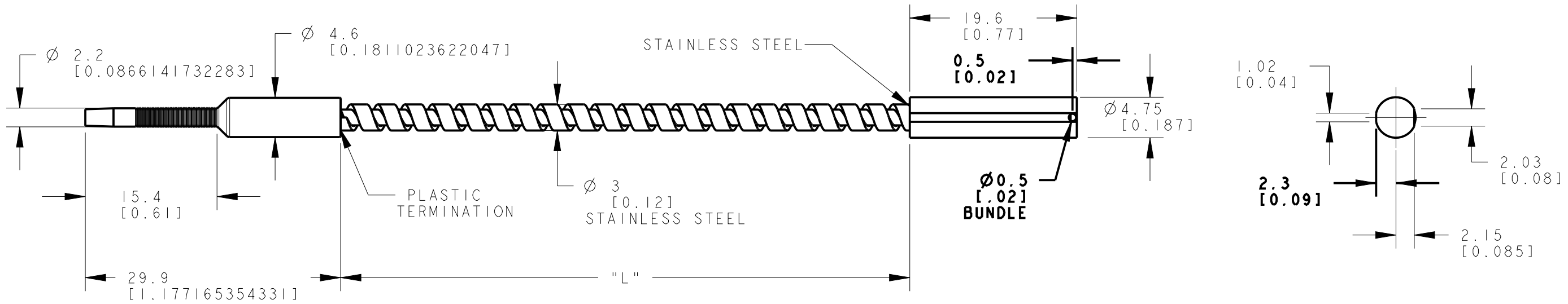


8	7	6	5	4	3	2	1
MODEL NO.	"L"	P/N					
IA.33.3ST5ETA	1000 [39]	93336					
IA.31.7ST5ETA	508 [20]	24979					

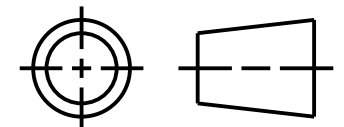


NOTES:  
 1. ALL DIMENSIONS ARE MILLIMETERS [INCHES] UNLESS OTHERWISE NOTED.  
 2. REFER TO "www.bannerengineering.com" FOR ADDITIONAL DATA AND SPECIFICATIONS.

This drawing is the property of BANNER ENGINEERING CORP. Any use or reproduction, in any form, without prior written permission of Banner is prohibited. © 2015 Banner Engineering Corp.

**BANNER** BANNER ENGINEERING CORP.  
 www.bannerengineering.com

THIRD ANGLE PROJECTION



TITLE  
**IA.3 SERIES SS EXTRA TIGHT ANGLE TERMINATED**

SIZE B	DRAWING NO. <b>161873</b>	REV. <b>B</b>
SCALE 2:1		SHEET 1 OF 1

CREO